



PARTS CATALOGUE

YDREX5 (JW96) CANADA, EUROPE, OTHERS

1PJW9-100E1

()


YAMAHA
GENUINE
Parts & Accessories

NEWS No.	DATE	COMMENT
PE0-GC-140007	Aug., 4,2014	COR:FIG.14/16 ELECTRIC MOTOR ILLUSTRATION CORRECTION

2014/08/18

YDREX5
PARTS CATALOGUE
©2014 by Yamaha Motor Co., Ltd.
1st edition, April 2014
All rights reserved.
Any reprinting or unauthorized use
without the written permission of
Yamaha Motor Co., Ltd.
is expressly prohibited.
Printed in Japan.

FOREWORD

This Parts Catalogue is related to the parts for the model(s) on the cover page. When you are ordering replacement parts, please refer to this Parts Catalogue and quote both part numbers and part names correctly.

1. Modifications or additions which have been made after the issue of the Parts Catalogue will be announced in the Parts News.

It is advisable that you make the necessary corrections to the Parts Catalogue according to the Parts News.

2. Abbreviations

The following abbreviations are used in this Parts Catalogue.

“UR” Use specified parts number.

“UN” Use as many as needed.

“AP” Alternate Parts

“LM” Locally Made (Parts need to be ordered locally)

“F#” Frame No. (Applicable machine No.)

“O/S” Over Size

3. The number of components for assembly

- Parts, which are to be supplied in an assembly, are listed with a dot (.) in front of the part name as shown below.
- The numeral appearing to the right of each component part indicates the quantity of parts for each assembly unit.

PART NO.	DESCRIPTION	Q'TY	REMARKS
2F5-83310-60	FRONT FLASHER LIGHT ASSY	2	
115-83311-60	.BULB (6V-18W)	1	

4. Applicable colours of graphics are represented in the “REMARKS” as shown below.

PART NO.	DESCRIPTION	Q'TY	REMARKS
2N4-24110-00-X5	FUEL TANK COMP.	2	MXR
3J1-24240-10	.GRAPHIC, FUEL TANK	1	FOR MXR

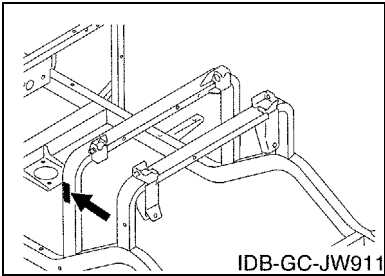
5. Note that the illustrations for reference in finding parts numbers are not to be used for assembling. When assembling, please use the applicable service manual.

6. The asterisk (*) before a reference number indicates modified items after the first edition.

FOREWORD

7. Applicable Serial No.

Frame Serial No.



10. Applicable Starting Serial No.

Frame Serial No.

Serial No.	Name Of Q'ty Column	Model Code
JW9-500101	JW96	JW96

8. Applicable Colour Code (The (*) mark shows Model colour.)

Abbreviation	Colour Name	Colour Code
DPBST(*)	DARK PURPLISH BLUE SOLID T	1220
HTR(*)	HEAT RED	00EY
LNMP(*)	LIGHT GRAY METALLIC P	0925
LN YM8(*)	LIGHT GRAYISH YELLOW ME 8	1047
NYS4(*)	GRAYISH YELLOW SOLID 4	1459
VDGS1(*)	VERY DARK GREEN SOLID 1	0614
WS7(*)	WHITE SOLID 7	1045

9. Quantity Column Information

Column No.	Name Of Q'ty Column	Destination
1	JW96	CANADA, EUROPE, OTHERS

CONTENTS

BODY

REAR ARM & SUSPENSION	1
FRAME	2
FRONT SUSPENSION	3
STEERING	5
PEDAL WIRE	7
PEDAL ASSEMBLY	8
BRAKE	11

DRIVE

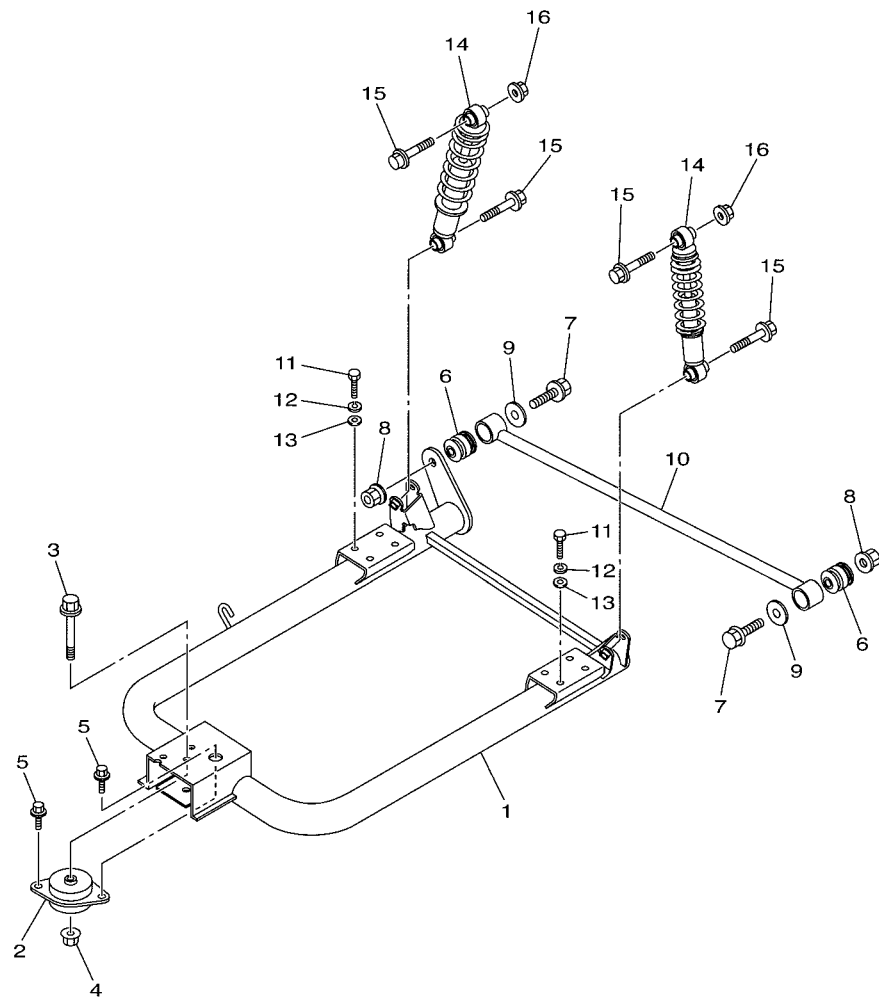
TRANSAXLE	12
WHEEL	14
BUMPER	15
BODY	16
BODY 2	18
BODY FITTING	19
CARRIER	20
SEAT	21

ELECTRICAL

ELECTRIC MOTOR	22
CONTROLLER 1	24
ELECTRICAL 1	25
BATTERY CHARGER	27
ALTERNATE FOR WINDSHIELD	28
ALTERNATE FOR SUN ROOF	29

INDEX

NUMERICAL INDEX	30
-----------------------	----

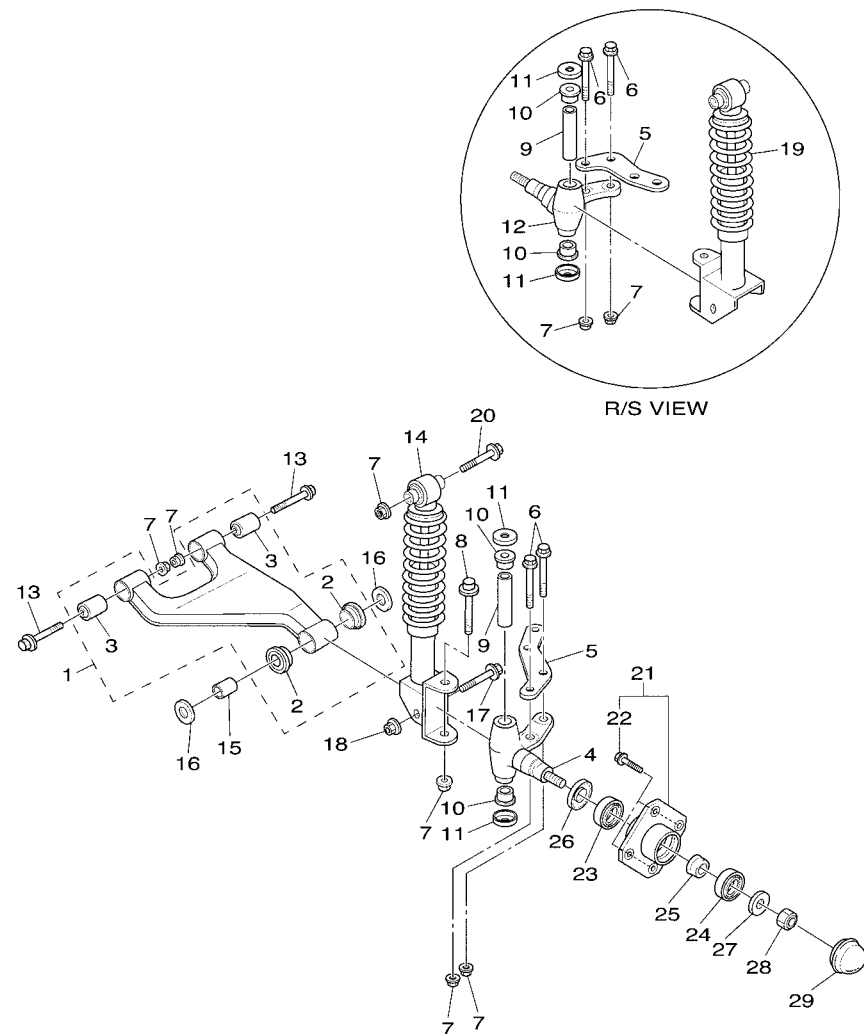


JC17100-P010

FIG. 1 REAR ARM & SUSPENSION

REF. NO.	PART NO.	DESCRIPTION	JW96				REMARKS
1	JW9-F2110-11	REAR ARM COMP.	1				
2	JN6-F2123-10	BUSH 1	1				
3	90105-13800	BOLT, FLANGE	1				
4	90179-13800	NUT	1				
5	90119-10044	BOLT, WITH WASHER	2				
6	JN6-F2124-10	BUSH 2	2				
7	95812-12065	BOLT, FLANGE	2				
8	95602-12200	NUT, SELF-LOCKING	2				
9	90201-128S4	WASHER, PLATE	2				
10	JW1-F217G-10	ROD, CONNECTING 2	1				
11	97012-10020	BOLT	8				
12	92902-10100	WASHER, SPRING	8				
13	92902-10600	WASHER, PLATE	8				
14	JW2-F2210-10	SHOCK ABSORBER ASSY, REAR	2				
15	95812-10055	BOLT, FLANGE	4				
16	95602-10200	NUT, U FLANGE	2				

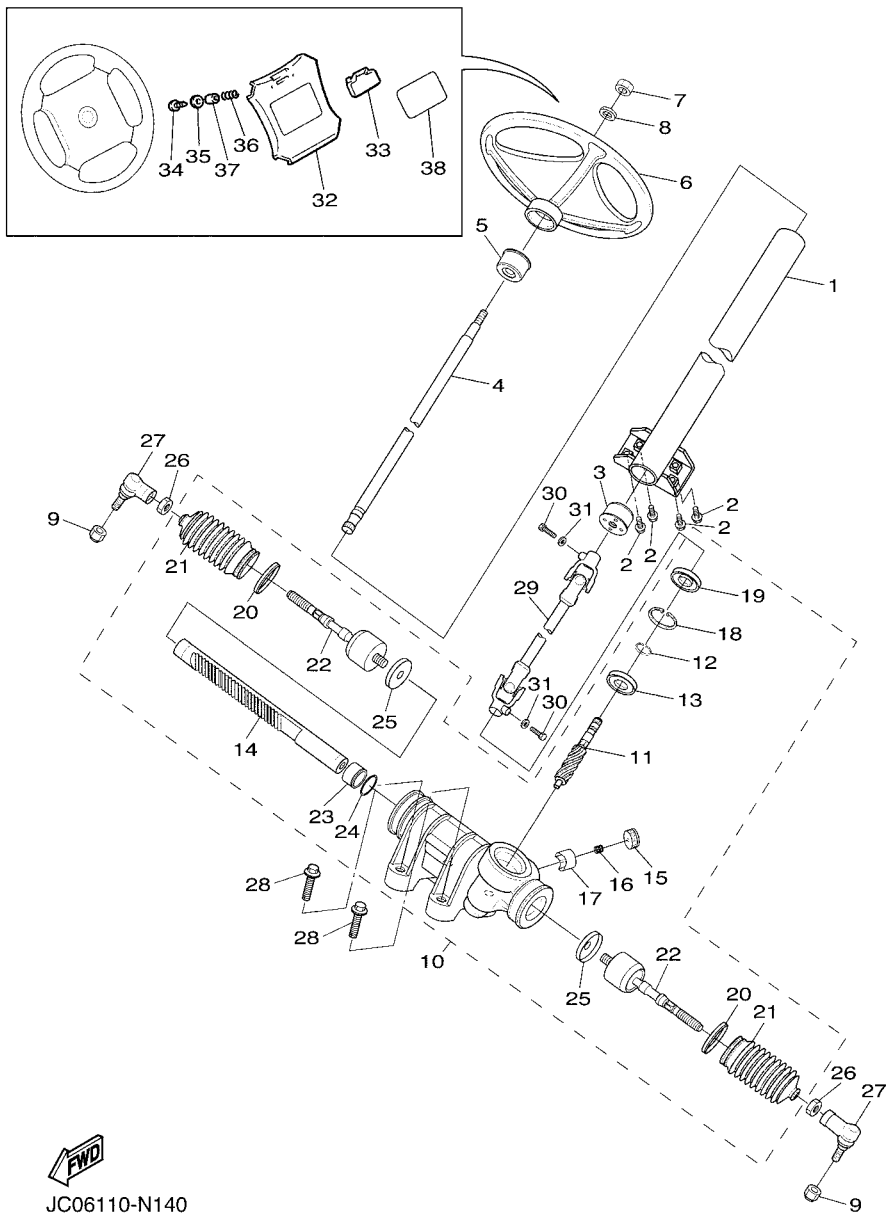
FIG. 3 FRONT SUSPENSION



JC06110-N130

REF. NO.	PART NO.	DESCRIPTION	JW96				REMARKS
1	JU0-F3570-20	FRONT LOWER ARM COMP.	2				
2	90381-18001	.BUSH, SOLID	2				
3	2HR-23526-00	.BUSH	2				
4	JU0-F3511-10	KNUCKLE, STEERING 1	1				
5	JW1-F3512-00	ARM, KNUCKLE 1	2				
6	90105-10373	BOLT, FLANGE	4				
7	95602-10200	NUT, U FLANGE	12				
8	90105-10219	BOLT, FLANGE	2				
9	2NL-23448-00	SPACER	2				
10	90381-17067	BUSH, SOLID	4				
11	2NL-23517-00	COVER, THRUST 1	4				
12	JU0-F3521-10	KNUCKLE, STEERING 2	1				
13	90105-10267	BOLT, FLANGE	4				
14	JW2-F3350-00	SHOCK ABSORBER ASSY	1				
15	90387-12016	COLLAR	2				
16	401-22128-01	COVER, THRUST 1	4				
17	95812-12080	BOLT, FLANGE	2				
18	95612-12100	NUT, U	2				
19	JW2-F3390-00	SHOCK ABSORBER ASSY 2	1				
20	90105-10267	BOLT, FLANGE	2				
21	JG5-WF511-10	HUB, FRONT	2				
22	90114-12806	.BOLT, SERRATION	4				
23	93306-204X0	BEARING	2				
24	93306-005Y3	BEARING	2				
25	90387-241M7	COLLAR	2				
26	93102-30083	OIL SEAL	2				
27	90208-14801	WASHER, CONICAL SPRING	2				

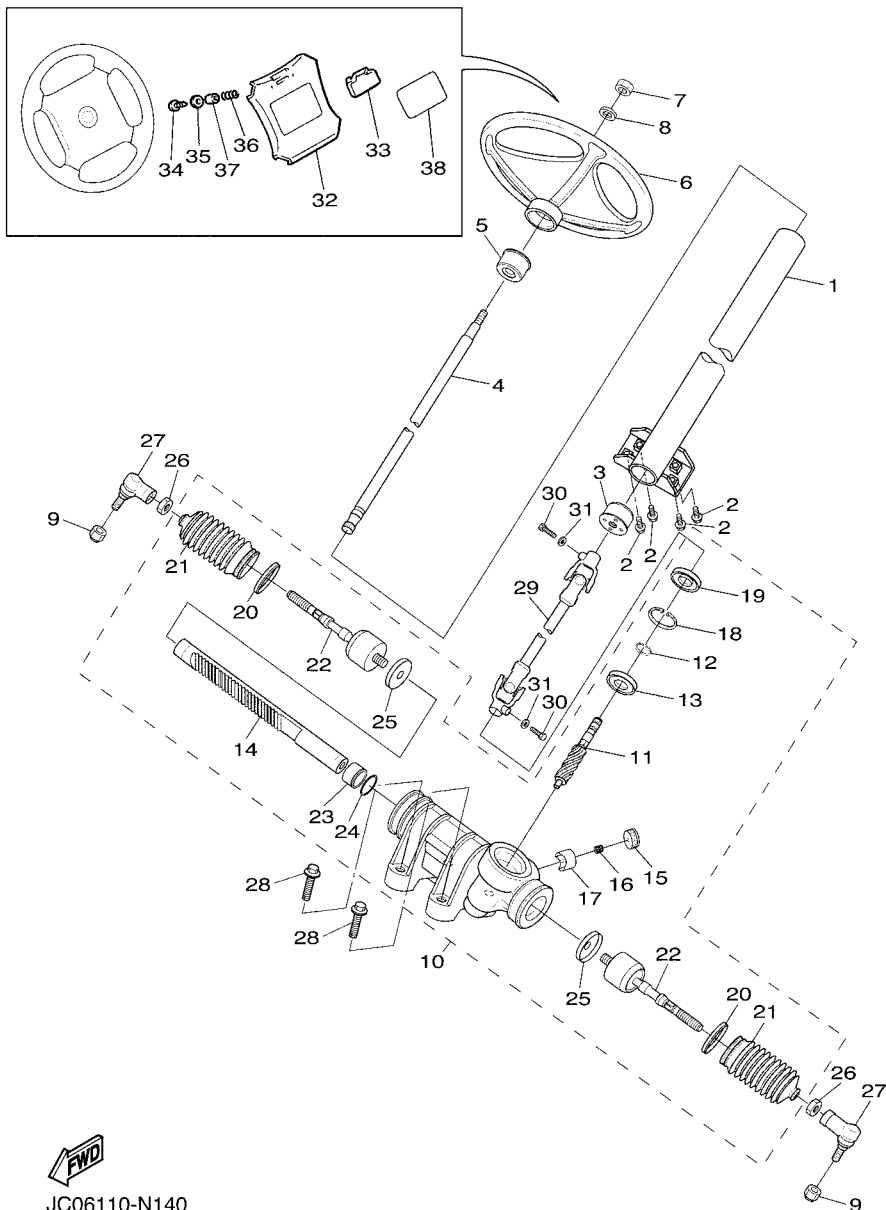
FIG. 4 STEERING



JC06110-N140

REF. NO.	PART NO.	DESCRIPTION	JW96				REMARKS
1	JW1-F3811-02	COLUMN, STEERING	1				
2	95812-08020	BOLT, FLANGE	4				
3	JU0-F3857-11	HOLDER	1				
4	JU0-F3828-10	ROD, STEERING	1				
5	JU0-F3857-11	HOLDER	1				
6	JN3-F3838-00	WHEEL, STEERING	1				
7	90185-12008	NUT, SELF-LOCKING	1				
8	92902-12200	WASHER	1				
9	95602-12200	NUT, SELF-LOCKING	2				
10	JW1-F3400-00	STEERING ASSY	1				
11	JW1-F387A-00	.GEAR,PINION	1				
12	JW1-F3183-00	.CIRCLIP	1				
13	JW1-F3812-00	.BEARING, STEERING	1				
14	JW1-F387E-00	.GEAR, RACK	1				
15	5UG-F387G-00	.COVER, ADJUST	1				
16	5UG-F387K-00	.SPRING, PRESSURE	1				
17	5UG-F387F-00	.PAD, PRESSURE	1				
18	5UG-F387J-00	.RING, STOPPER	1				
19	5UG-F3844-00	.SEAL	1				
20	5UG-F3489-00	.BAND	2				
21	5UG-F3527-00	.SEAL, DUST 1	2				
22	JW1-F3837-00	.ROD, TIE 2	2				
23	JW1-F467K-00	.BUSH, CAP	1				
24	JW1-F3866-00	.CIRCLIP	1				
25	JW1-F3894-00	.WASHER, LOCK 1	2				
26	1P0-F3833-00	NUT 1	2				
27	JW8-23841-01	JOINT, UNIVERSAL 1	2				

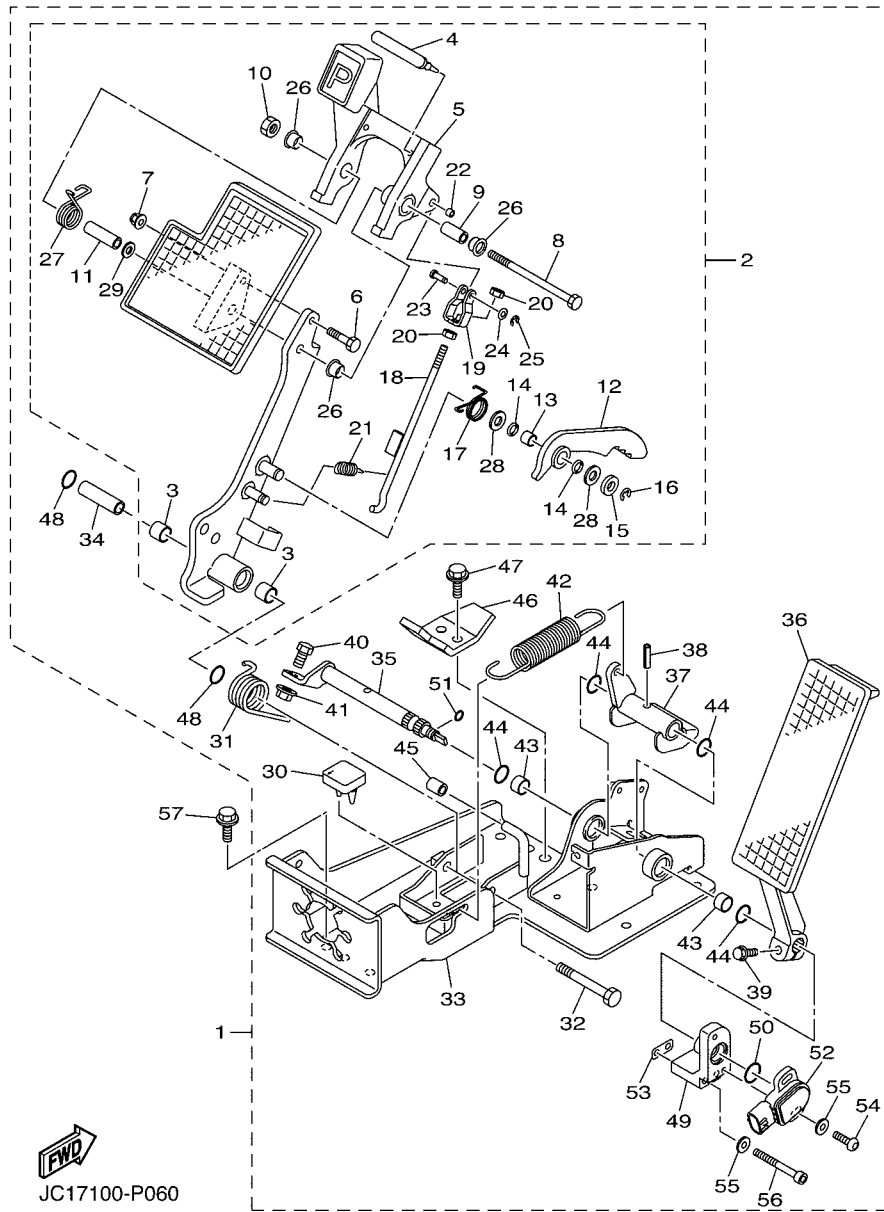
FIG. 4 STEERING



JC06110-N140

REF. NO.	PART NO.	DESCRIPTION	JW96				REMARKS
28	90105-10847	BOLT, FLANGE	4				
29	JW1-F3822-01	JOINT 1	1				
30	97012-08030	BOLT	2				
31	92902-08600	WASHER, PLATE	2				
32	JW8-K8357-00	HOLDER 1	1				
33	JN6-K8358-01	HOLDER 2	1				
34	97702-40525	SCREW, TAPPING	2				
35	90201-04810	WASHER, PLATE	2				
36	90502-10013	SPRING, CONICAL	2				
37	90387-046N7	COLLAR	2				
38	JW8-K7762-00	LABEL, WARNING 2	1				CAN,JPN
	JW8-K7762-11	LABEL, WARNING 2 (E, F)	1				EXC. CAN,JPN
	JW8-K7762-21	LABEL, WARNING 2 (G, S)	1				EXC. CAN,JPN

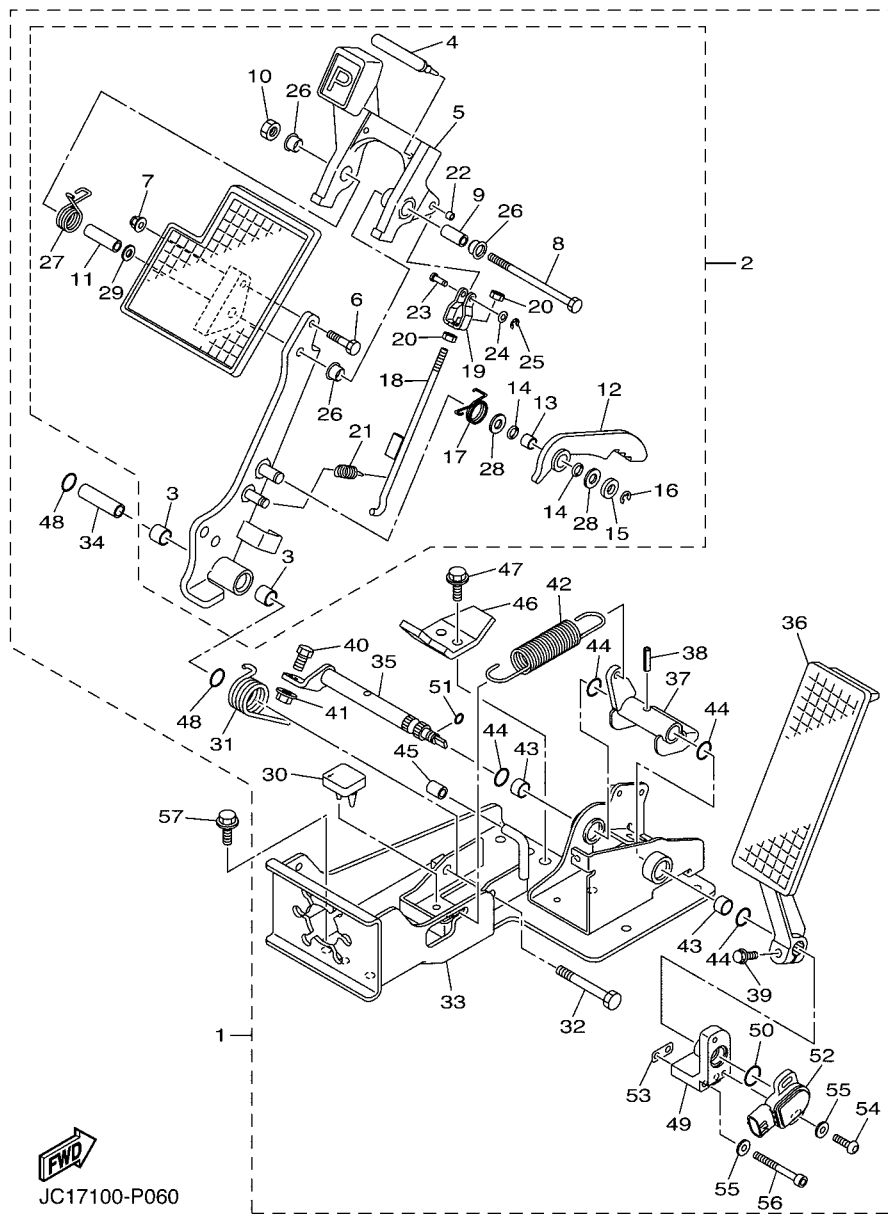
FIG. 6 PEDAL ASSEMBLY



JC17100-P060

REF. NO.	PART NO.	DESCRIPTION	JW96				REMARKS
1	JW9-F7850-30	PEDAL ASSY (L.H)	1				
2	JW9-F7200-21	.PEDAL, BRAKE	1				
3	JW8-F7814-21	..BUSH, PEDAL	2				
4	JW9-F5672-00	..PAD, PARKING PEDAL	1				
5	JW9-F5671-00	..PEDAL, PARKING BRAKE	1				
6	JW8-F7117-00	..BOLT, MAIN STAND	1				
7	JW8-F8363-00	..NUT	1				
8	JW8-F7416-00	..BOLT, FOOTREST	1				
9	JW8-F639N-00	..COLLAR	1				
10	JW8-F7218-00	..NUT	1				
11	JW8-F7113-00	..COLLAR, MAIN STAND	1				
12	JW9-F5666-00	..SECTOR, PARKING BRAKE	1				
13	JW8-F7121-00	..BUSH	1				
14	JW9-F7221-00	..SEAL, SHAFT	2				
15	JW8-F7322-00	..WASHER	1				
16	JW8-F3183-00	..CIRCLIP	1				
17	JW8-F7426-01	..SPRING, RETURN	1				
18	JW9-F7231-10	..ROD, BRAKE	1				
19	JW9-F7232-00	..END, ROD 2	1				
20	JW8-F7318-00	..NUT	2				
21	JW8-F6314-00	..SPRING	1				
22	JW8-F639L-00	..BUSH 1	1				
23	JW9-F7228-00	..PIN, JOINT	1				
24	JW8-F8323-00	..WASHER, LEG SHIELD	1				
25	JW8-F5415-00	..CIRCLIP	1				
26	90386-12800	..BUSH	3				
27	JW8-F7825-01	..SPRING, RETURN	1				

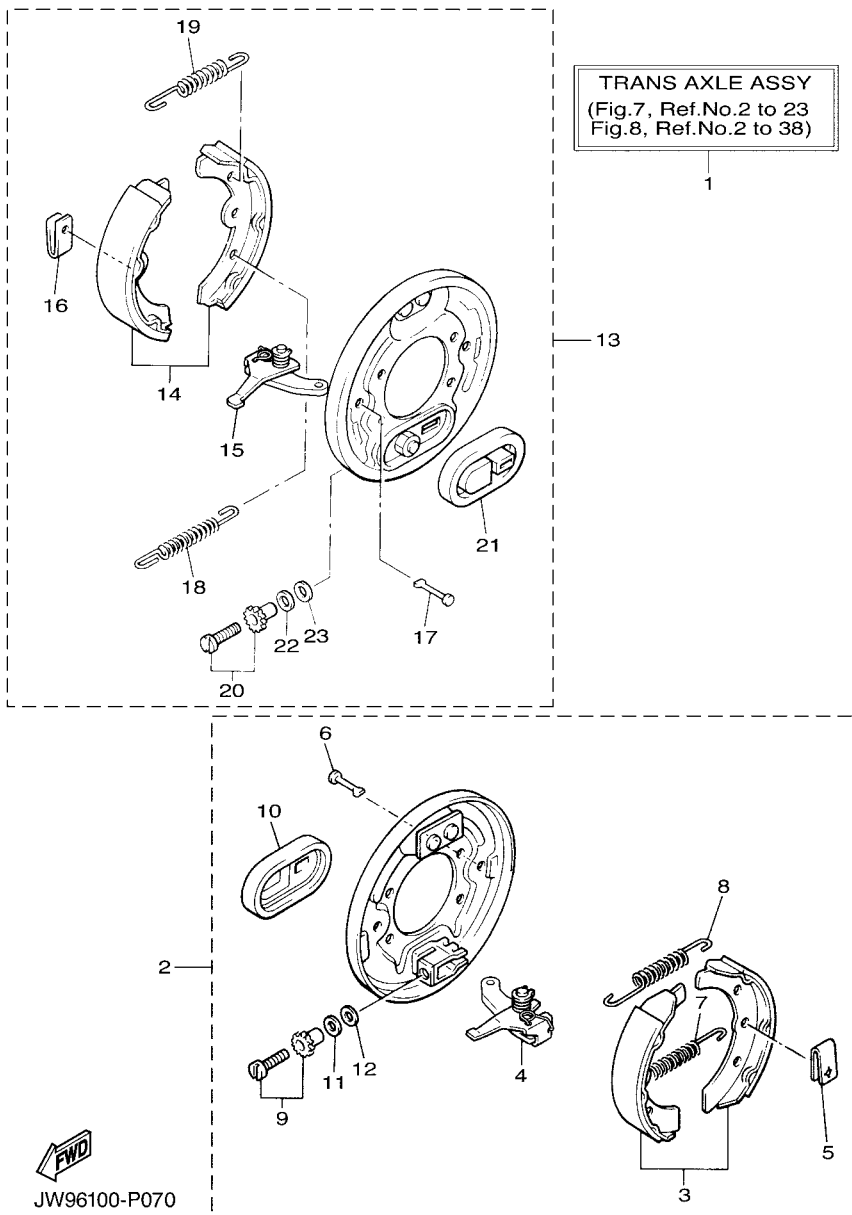
FIG. 6 PEDAL ASSEMBLY



JC17100-P060

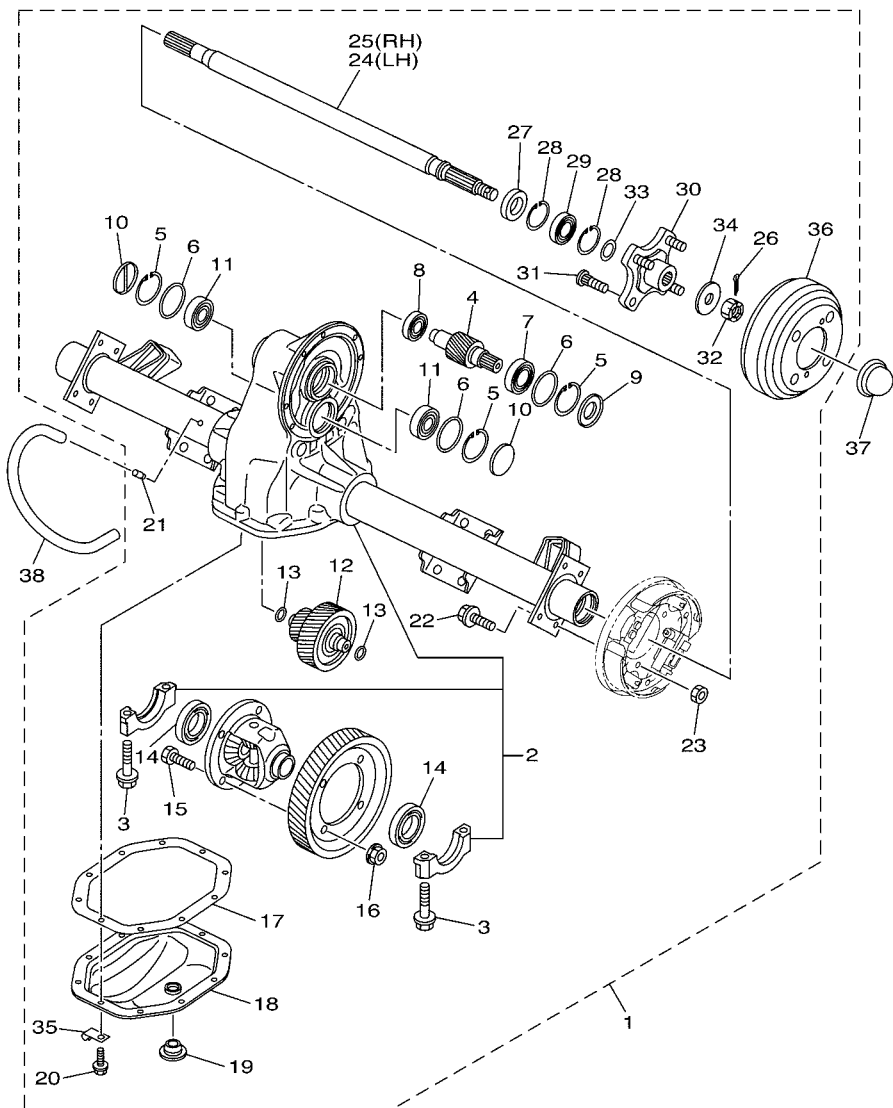
REF. NO.	PART NO.	DESCRIPTION	JW96				REMARKS
28	JW8-F7119-00	..WASHER	2				
29	JW8-F8319-00	..WASHER	1				
30	JW9-F7245-10	.PAD, BRAKE PEDAL	1				
31	JW8-F7316-01	.SPRING, SIDE STAND	1				
32	JW8-F7217-00	.BOLT	1				
33	JW9-F7445-30	.PLATE 1	1				
34	JW8-F7213-20	.COLLAR	1				
35	JW9-F7853-00	.SHAFT, PEDAL 1	1				
36	JW9-F7871-10	.PEDAL, ACCELERATOR	1				
37	JW9-F7872-20	.ARM, ACCELERATOR PEDAL	1				
38	JW8-F7438-00	.PIN, CLEVIS	1				
39	JW8-F7434-00	.BOLT	1				
40	JW8-F7317-00	.BOLT	1				
41	JW8-F7118-00	.NUT	1				
42	JW8-F815H-01	.SPRING	1				
43	JW8-F7814-21	.BUSH, PEDAL	2				
44	JW8-F4486-00	.O-RING	4				
45	JW9-F5673-00	.DAMPER, BRAKE	1				
46	JW9-F7246-20	.NAIL, BRAKE	1				
47	JW8-F8331-00	.BOLT, LEG SHIELD	2				
48	JW8-F4486-00	.O-RING	2				
49	JW9-F7263-00	.BRACKET 1	1				
50	JW9-F4648-20	.O-RING	1				
51	JW8-F41B8-00	.O-RING	1				
52	JW9-H5885-00	.THROTTLE SENSOR ASSY	1				
53	JW9-F5827-00	.SHIM, CALIPER	1				UR
	JW9-F5827-10	.SHIM, CALIPER	1				UR

FIG. 7 BRAKE



REF. NO.	PART NO.	DESCRIPTION	JW96				REMARKS
1	JW8-G6300-10	TRANS AXLE ASSY	1				
2	JW8-F7290-00	..BACKING PLATE ASSY 2	1				
3	JN9-W2536-00	..BRAKE SHOE SET	1				
4	J38-27205-00	..LEVER ASSY 2	1				
5	JW8-F7281-00	..SPRING, SHOE CLAMP	2				
6	J10-27282-00	..PIN, SHOE HOLD DOWN	2				
7	90506-20281	..SPRING, TENSION	1				
8	90506-14001	..SPRING, TENSION	1				
9	J55-27260-00	..ADJUSTER ASSY	1				
10	JW8-F7286-00	..COVER, DUST	1				
11	90201-121H9	..WASHER, PLATE	1				
12	90201-121H8	..WASHER, PLATE	1				
13	JW8-F7280-00	..BACKING PLATE ASSY 1	1				
14	JN9-W2536-00	..BRAKE SHOE SET	1				
15	J38-27204-00	..LEVER ASSY 1	1				
16	JW8-F7281-00	..SPRING, SHOE CLAMP	2				
17	J10-27282-00	..PIN, SHOE HOLD DOWN	2				
18	90506-20281	..SPRING, TENSION	1				
19	90506-14001	..SPRING, TENSION	1				
20	J55-27270-00	..ADJUSTER ASSY	1				
21	JW8-F7286-00	..COVER, DUST	1				
22	90201-121H9	..WASHER, PLATE	1				
23	90201-121H8	..WASHER, PLATE	1				

FIG. 8 TRANSAXLE

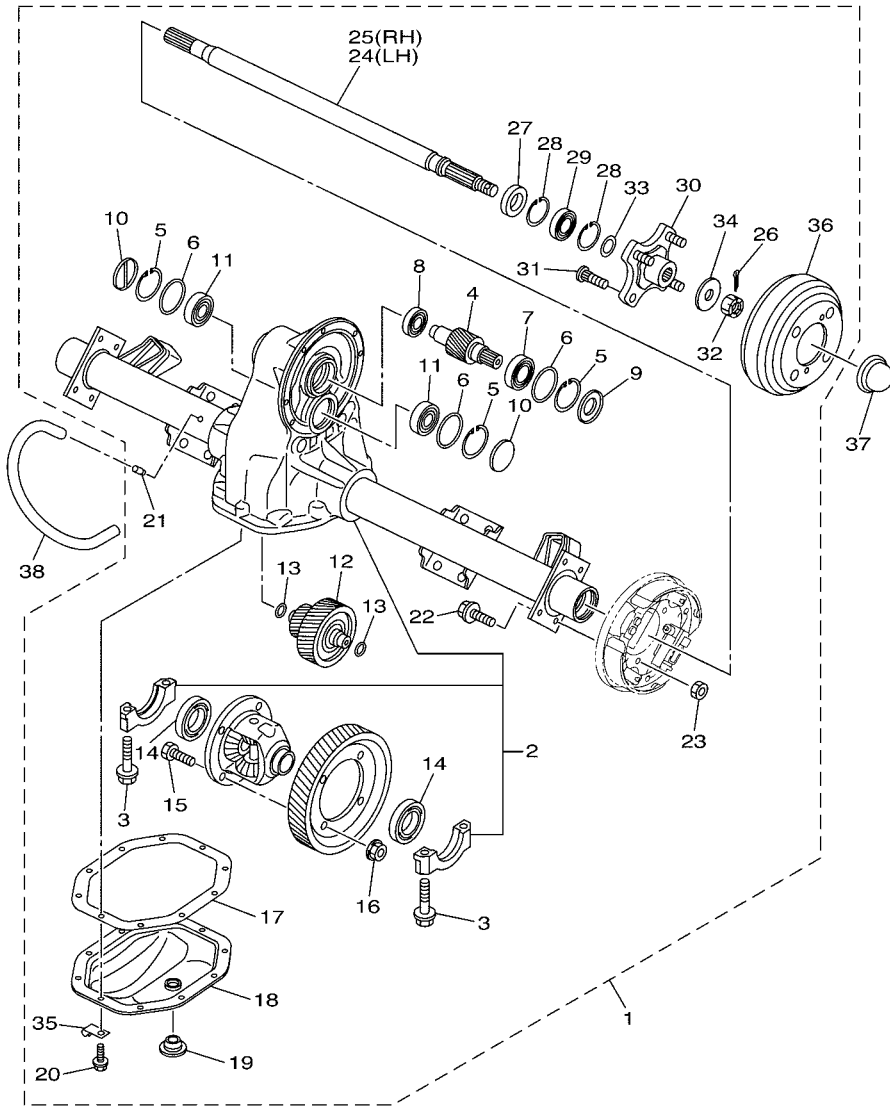


JW96100-P080

REF. NO.	PART NO.	DESCRIPTION	JW96				REMARKS
1	JW9-G6300-10	TRANS AXLE ASSY	1				
2	JW9-G6290-10	.CASE ASSY	1				
3	90105-10840	.BOLT, FLANGE	4				
4	JW9-G6321-00	.SHAFT, INPUT	1				
5	93420-50804	.CIRCLIP	3				
6	93210-478B8	.O-RING	3				
7	93306-005Y1	.BEARING	1				
8	93306-203X1	.BEARING	1				
9	JW9-G4136-00	.RETAINER, SPRING	1				
10	JH7-G3396-01	.PLUG, BLIND	2				
11	93306-303Y6	.BEARING	2				
12	JW9-G6350-00	.COUNTER GEAR ASSY	1				
13	93210-148B9	.O-RING	2				
14	93306-007Y0	.BEARING	2				
15	90101-10854	.BOLT	4				
16	90170-10840	.NUT	4				
17	JW9-G631A-00	.GSKT., CASE	1				
18	JW9-G6312-00	.CASE, TRANSMISSION 2	1				
19	JN3-G6432-00	.STOPPER	1				
20	90101-08856	.BOLT	10				
21	JW8-G5378-00	.NIPPLE, HOSE	1				
22	90101-08855	.BOLT	8				
23	90170-08841	.NUT	8				
24	JR1-G6511-00	.SHAFT, REAR AXLE 1 (L.H)	1				
25	JR1-G6512-00	.SHAFT, REAR AXLE 2 (R.H)	1				
26	91490-30030	.PIN, COTTER	2				
27	93101-24822	.OIL SEAL	2				

FIG. 8 TRANSAXLE

REF. NO.	PART NO.	DESCRIPTION	JW96				REMARKS
28	93420-44805	.CIRCLIP	4				
29	93306-00440	.BEARING	2				
30	JW8-G6514-00	.HUB, REAR AXLE	2				
31	JW8-G4178-00	.BOLT, STUD	8				
32	JW8-G5244-00	.NUT	2				
33	JW8-G2535-00	.WASHER, THRUST	2				
34	JW8-G2536-00	.WASHER, THRUST 2	2				
35	JW8-G2756-00	.STAY, CLAMP	1				
36	JW8-G6521-00	.DRUM	2				
37	JW8-F5118-00	COVER, HUB DUST	2				
38	JW8-G2541-00	PIPE 1	1				



JW96100-P080

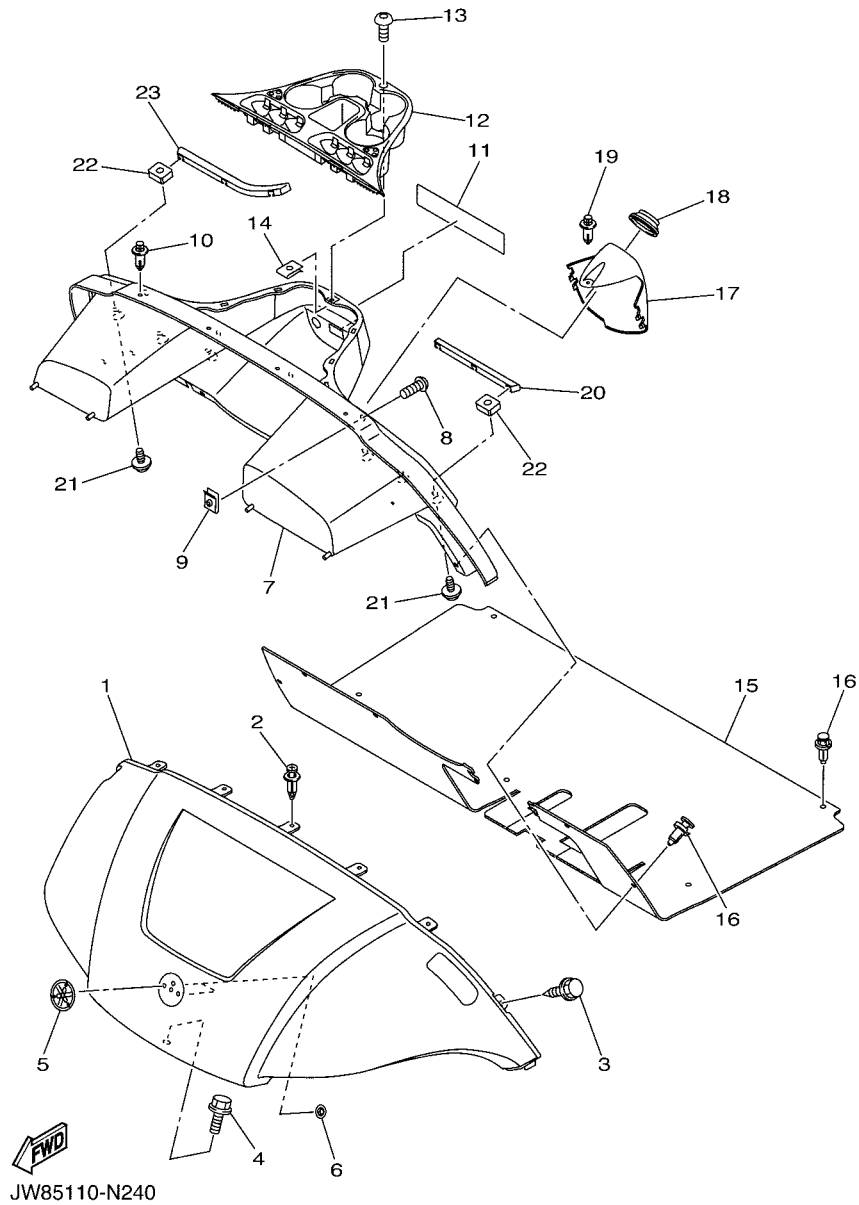
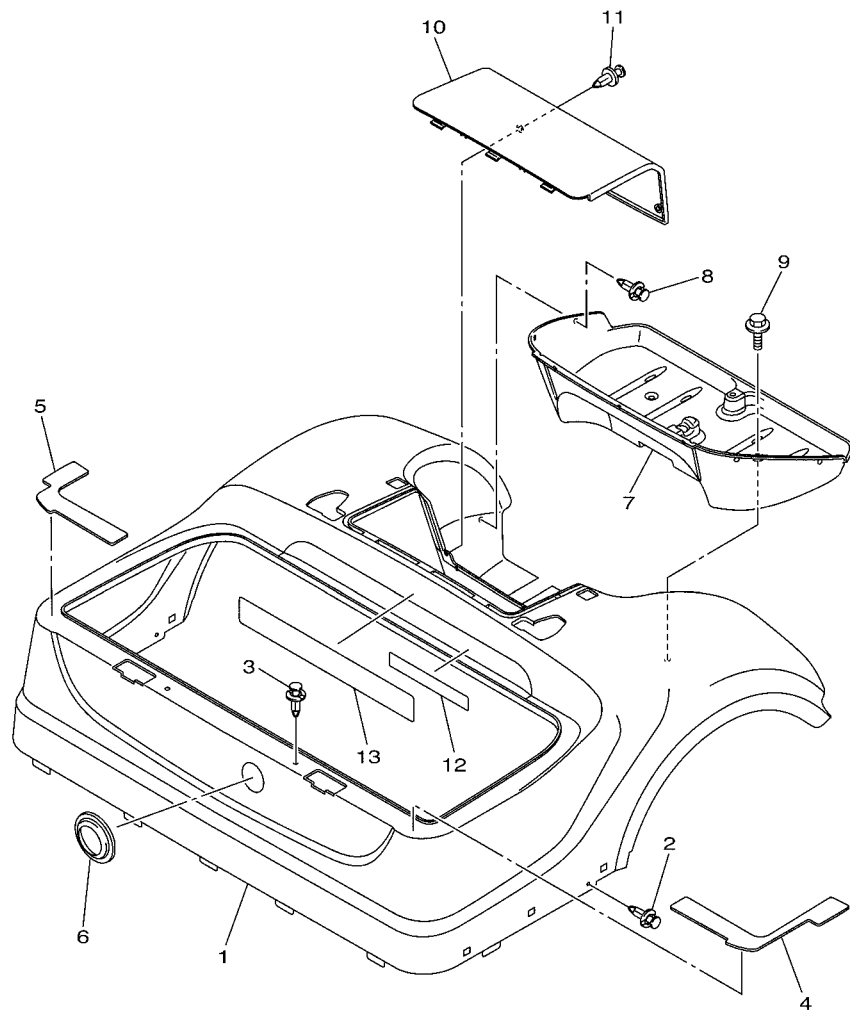


FIG. 11 BODY

REF. NO.	PART NO.	DESCRIPTION	JW96		REMARKS
1	JW1-K8115-01	COWL, FRONT	1		UR FOR WS7
	JW1-K8115-11	COWL, FRONT	1		UR FOR VDGS1
	JW1-K8115-21	COWL, FRONT	1		UR FOR HTR
	JW1-K8115-31	COWL, FRONT	1		UR FOR LNYM8
	JW1-K8115-90	COWL, FRONT	1		UR FOR LNMP
	JW1-K8115-80	COWL, FRONT	1		UR FOR DPBST
	JW1-K8115-W0	COWL, FRONT	1		UR FOR NYS4
2	90269-06800	RIVET	5		
3	JW1-F3396-01	SCREW, SPECIAL	2		
4	90105-06870	BOLT, FLANGE	1		
5	JW1-F4161-10	EMBLEM 1	1		
6	90183-06071	NUT, SPRING	2		
7	JW2-K8114-02	PANEL, FRONT	1		UR FOR CAN
	JW2-K8114-12	PANEL, FRONT	1		UR EXCEPT CAN
8	90111-05805	BOLT,HEX. SOCKET BUTTON	4		
9	90183-05008	NUT, SPRING	4		
10	90269-07001	RIVET	5		
11	JW9-K7768-30	LABEL, WARNING 8	1		(E)CAN,JPN
	JW9-K7768-40	LABEL, WARNING 8	1		(E,F)EXC. CAN,JPN
	JW9-K7768-50	LABEL, WARNING 8	1		(G,S)EXC. CAN,JPN
12	JW8-K835E-00	HOLDER, BEVERAGE	1		
13	90111-05805	BOLT,HEX. SOCKET BUTTON	1		
14	90183-05008	NUT, SPRING	1		
15	JW1-K8233-30	MAT, MAIN FLOOR 3	1		
16	90269-09003	RIVET	10		
17	JW1-K8273-00	COVER, HOLE	1		
18	JW1-K8245-00	SEAL 1	1		



JW95110-N100

FIG. 12 BODY 2

REF. NO.	PART NO.	DESCRIPTION	JW96		REMARKS
1	JW1-K8142-00	PANEL, REAR BODY	1		UR FOR WS7
	JW1-K8142-10	PANEL, REAR BODY	1		UR FOR VDGS1
	JW1-K8142-20	PANEL, REAR BODY	1		UR FOR HTR
	JW1-K8142-30	PANEL, REAR BODY	1		UR FOR LNYM8
	JW1-K8142-90	PANEL, REAR BODY	1		UR FOR LNMP
	JW1-K8142-80	PANEL, REAR BODY	1		UR FOR DPBST
	JW1-K8142-W0	PANEL, REAR BODY	1		UR FOR NYS4
2	90269-06804	RIVET	2		
3	90269-08813	RIVET	2		
4	JW1-F2873-10	SEAL 1	1		
5	JW1-F2874-10	SEAL 2	1		
6	JW9-K827A-00	GUIDE 1	1		
7	JW1-K8237-10	COVER, REAR FLOOR	1		
8	90269-08813	RIVET	7		
9	JW1-K6179-01	BOLT, SPECIAL 1	2		
10	JW1-K8151-00	PANEL, INSPECTION LID 1	1		
11	90269-08813	RIVET	2		
12	JW9-K8298-10	PLATE, CAUTION 2	1		UR FOR CAN,JPN
	JW9-K8298-20	PLATE, CAUTION 2	1		UR EXCEPT CAN,JPN
13	JW9-K8297-00	PLATE, CAUTION 1	1		UR FOR CAN,JPN
	JW9-K8297-10	PLATE, CAUTION 1	1		UR EXCEPT CAN,JPN

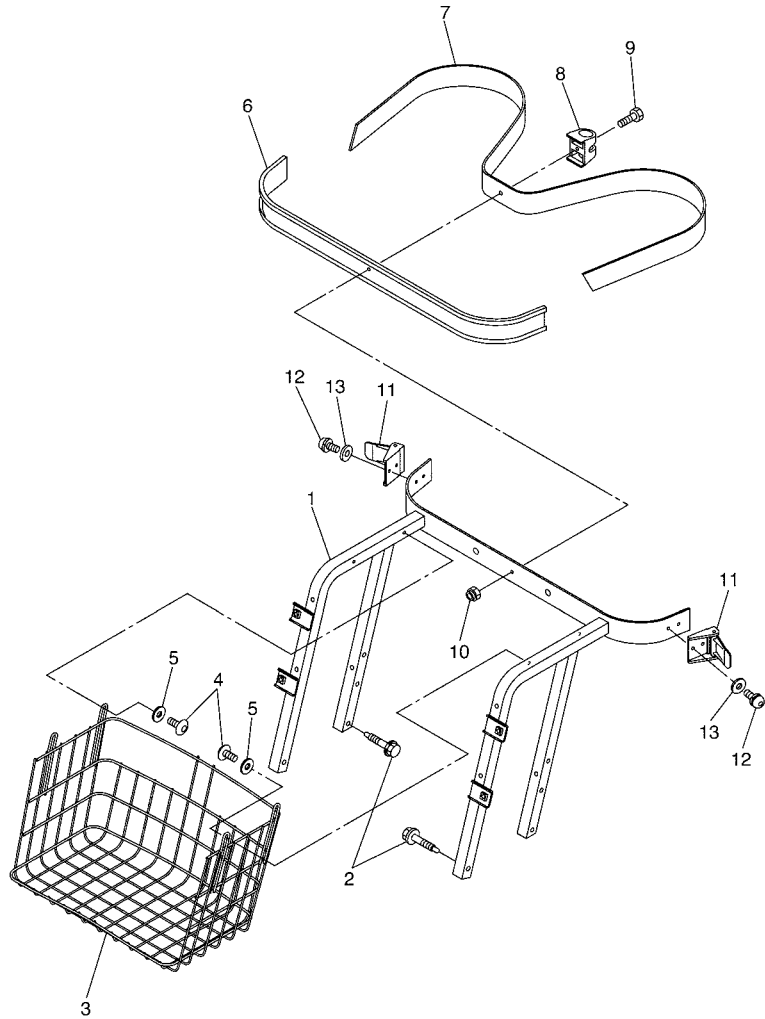


FIG. 14 CARRIER

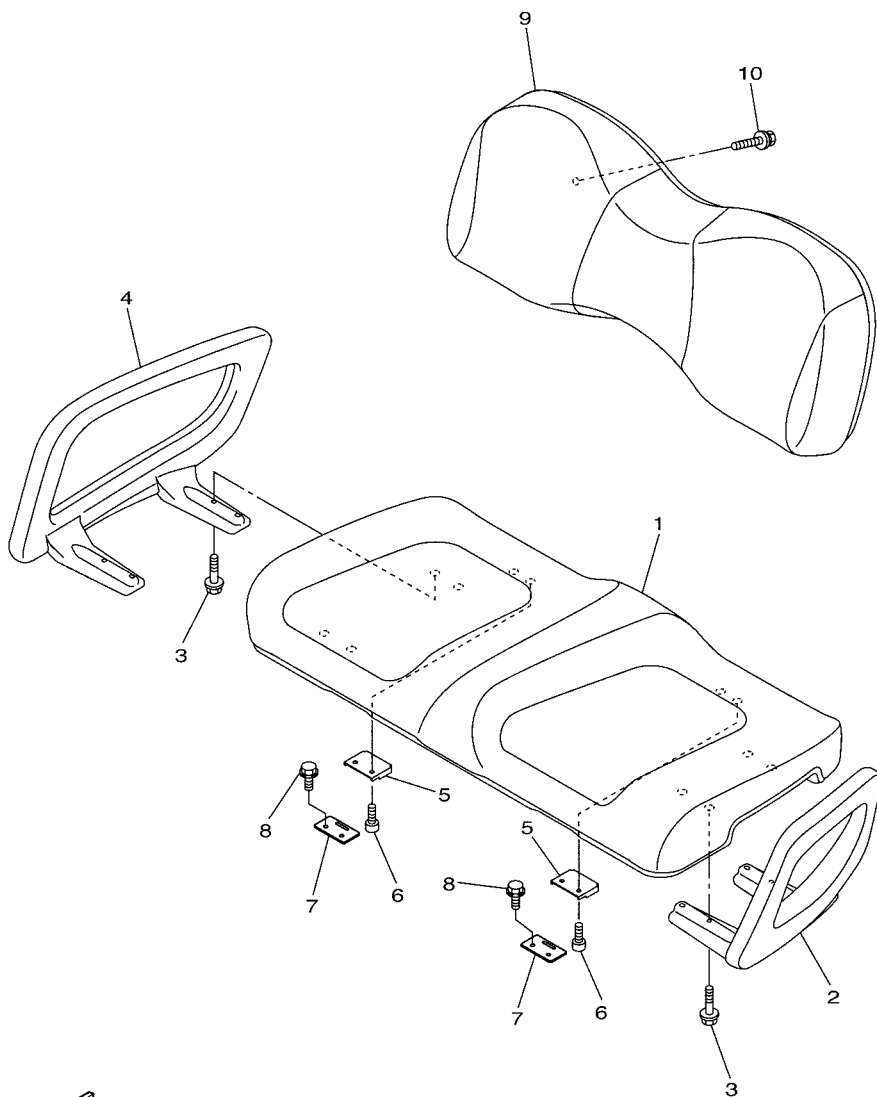
REF. NO.	PART NO.	DESCRIPTION	JW96				REMARKS
1	JW1-K8423-10	SUPPORT, SEAT BACK	1				
2	90109-08002	BOLT	4				
3	JW1-K8340-00	LUGGAGE RACK ASSY., REAR	1				
4	90110-06102	BOLT, HEXAGON SOCKET HEAD	4				
5	90201-068G7	WASHER, PLATE	4				
6	JF2-K8356-00	PAD, BAG SUPPORT	1				
7	JN6-K8355-20	BAND	1				
8	JW1-K834G-00	HOLDER, RAKE SAND	1				
9	9708R-06020	BOLT	1				
10	90185-06836	NUT, SELF-LOCKING	1				
11	JN6-K8380-00	LOCK ASSY	2				
12	90159-06845	SCREW, WITH WASHER	4				
13	9299R-06200	WASHER	4				



JW11100-E270

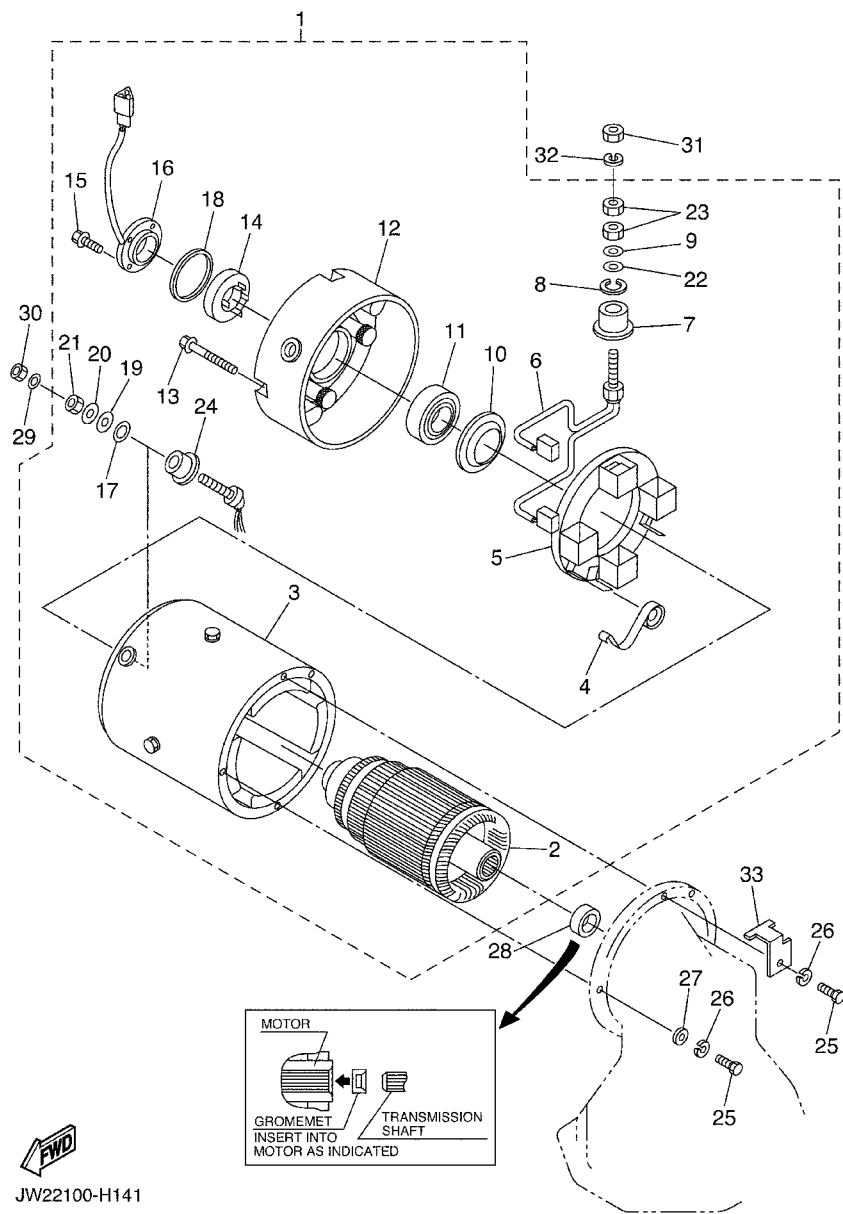
FIG. 15 SEAT

REF. NO.	PART NO.	DESCRIPTION	JW96				REMARKS
1	JW1-K8401-12	SEAT SUB-ASSY,CUSHION	1				
2	JW1-K8361-00	ARM REST 1	1				
3	90105-06129	BOLT, FLANGE	8				
4	JW1-K8362-00	ARM REST 2	1				
5	JW1-K8426-00	HINGE, SEAT 1	2				
6	90110-06125	BOLT, HEXAGON SOCKET HEAD	4				
7	JW1-K8427-00	HINGE, SEAT 2	2				
8	90163-06802	SCREW, TAPPING	4				
9	JW1-K8402-10	SEAT SUB ASSY, BACK	1				
10	90119-06808	BOLT, WITH WASHER	4				



JC21110-M300

FIG. 16 ELECTRIC MOTOR



JW22100-H141

REF. NO.	PART NO.	DESCRIPTION	JW96				REMARKS
1	JU2-H1890-21	MOTOR ASSY	1				
2	JU2-H1850-20	.ARMATURE ASSY	1				
3	JU2-H1160-20	.FIELD COIL ASSY	1				
4	JU2-H1617-20	.SPRING, BRUSH	4				
5	JU2-H1840-20	.BRUSH HOLDER ASSY	1				
6	JU2-H1801-20	.BRUSH SET	2				
7	JU2-H182G-20	.BUSH, TERMINAL	2				
8	JU2-H1843-20	.WASHER 1	2				
9	JU2-H181L-20	.WASHER, PLAIN	2				
10	JU2-H1856-20	.RETAINER	1				
11	JU2-H185B-20	.BEARING 1	1				
12	JU2-H183J-20	.BRACKET, FRONT	1				
13	JU2-H1828-20	.SCREW 2	4				
14	JU2-H181K-20	.MAGNET	1				
15	JU2-H2113-20	.SCREW	4				
16	JU2-H1670-21	.PICK-UP ASSY	1				
17	JU2-H272L-20	.INSULATOR, 1	2				
18	JU2-H5722-20	.INSULATOR	1				
19	JU2-H2517-20	.WASHER, SPECIAL	2				
20	JU2-H332D-20	.WASHER, SPECIAL 2	2				
21	JU2-H191B-20	.NUT	4				
22	JU2-H1824-20	.WASHER 2	2				
23	JU2-H182K-20	.NUT	4				
24	JU2-H182H-20	.BUSH, TERMINAL 2	2				
25	90101-069U0	BOLT	3				
26	90215-06811	WASHER, LOCK	3				
27	90201-068E2	WASHER, PLATE	2				

FIG. 18 ELECTRICAL 1

REF. NO.	PART NO.	DESCRIPTION	JW96				REMARKS
1	JW9-H2136-00	PLATE, BATTERY FITTING	3				
2	JW9-H1892-00	BOLT, SPECIAL	6				
3	90201-08310	WASHER, PLATE	6				
4	JW9-K811K-00	NUT, TRIM FITTING	6				
5	JW9-H2115-20	WIRE, PLUS LEAD	1				
6	JW9-H2127-00	WIRE, LEAD 2	3				
7	JW9-H2149-00	WIRE, LEAD 3	2				
8	JU2-H2917-00	SWITCH	1				
9	JU2-H2521-20	WIRE, LEAD	1				(F1)
10	JU2-H2531-20	WIRE, LEAD	1				(F2)
11	JU2-H6171-20	WIRE, LEAD 1	1				(A1)
12	JW9-H6172-00	WIRE, LEAD 2	1				(A2)
13	JU2-H7196-20	TUBE 1	1				
14	90464-25826	CLAMP	2				
15	JW9-H2590-40	WIRE HARNESS ASSY	1				UR FOR CAN
15	JW9-H2590-70	WIRE HARNESS ASSY	1				UR EXCEPT FOR CAN
16	JR1-H2151-00	.FUSE (3A)	1				
17	JW9-H1950-20	RELAY ASSY	1				
18	90179-08887	.NUT	2				
19	90179-05886	.NUT	2				
20	JW9-85371-00	RESISTOR COMP.	1				
21	90105-06831	BOLT, FLANGE	2				
22	JR1-H3383-02	BUZZER	1				
23	JN6-H3386-01	STAY, BUZZER	1				
24	JW9-H6181-00	RECEPTACLE	1				
25	JW1-F3394-00	BOLT, SPECIAL	3				
26	JF7-82817-22	SWITCH	1				

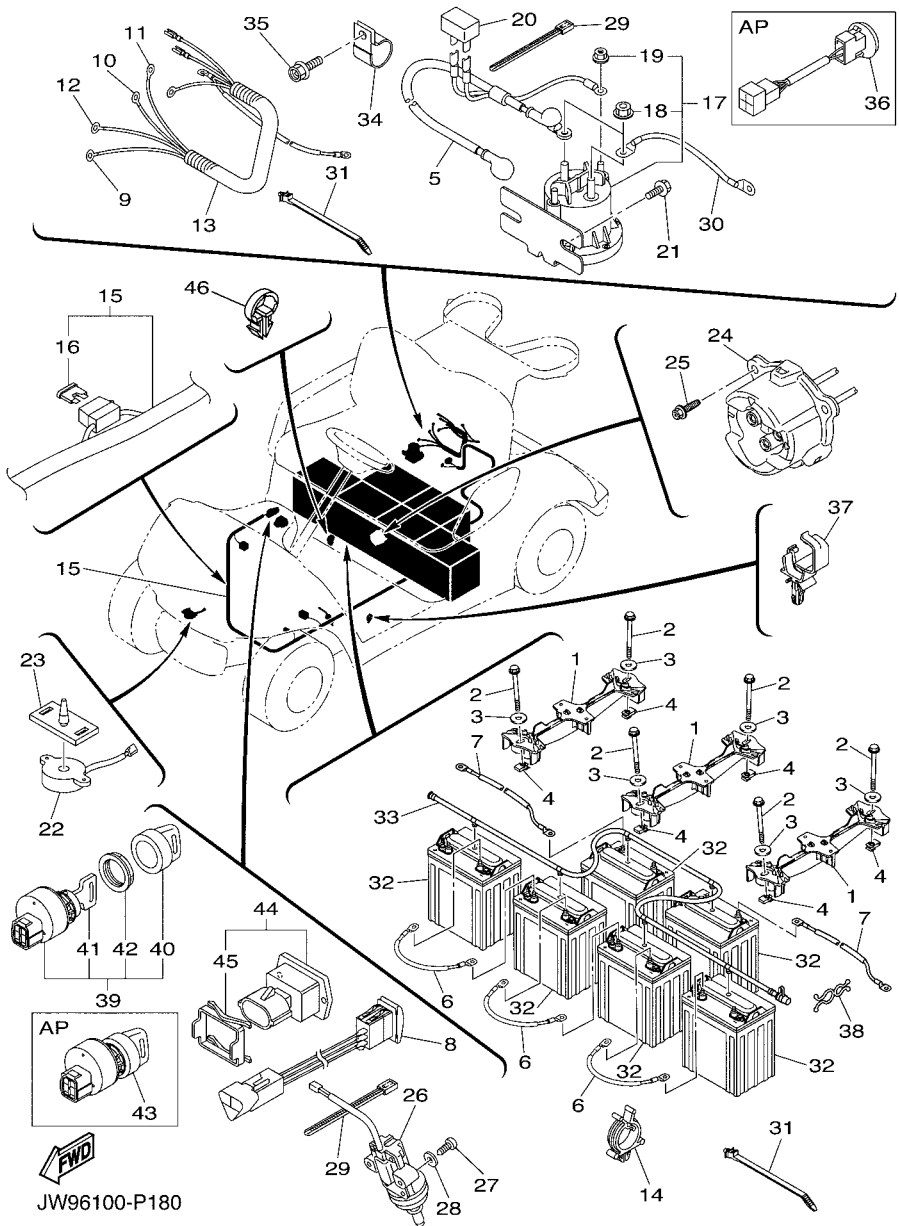
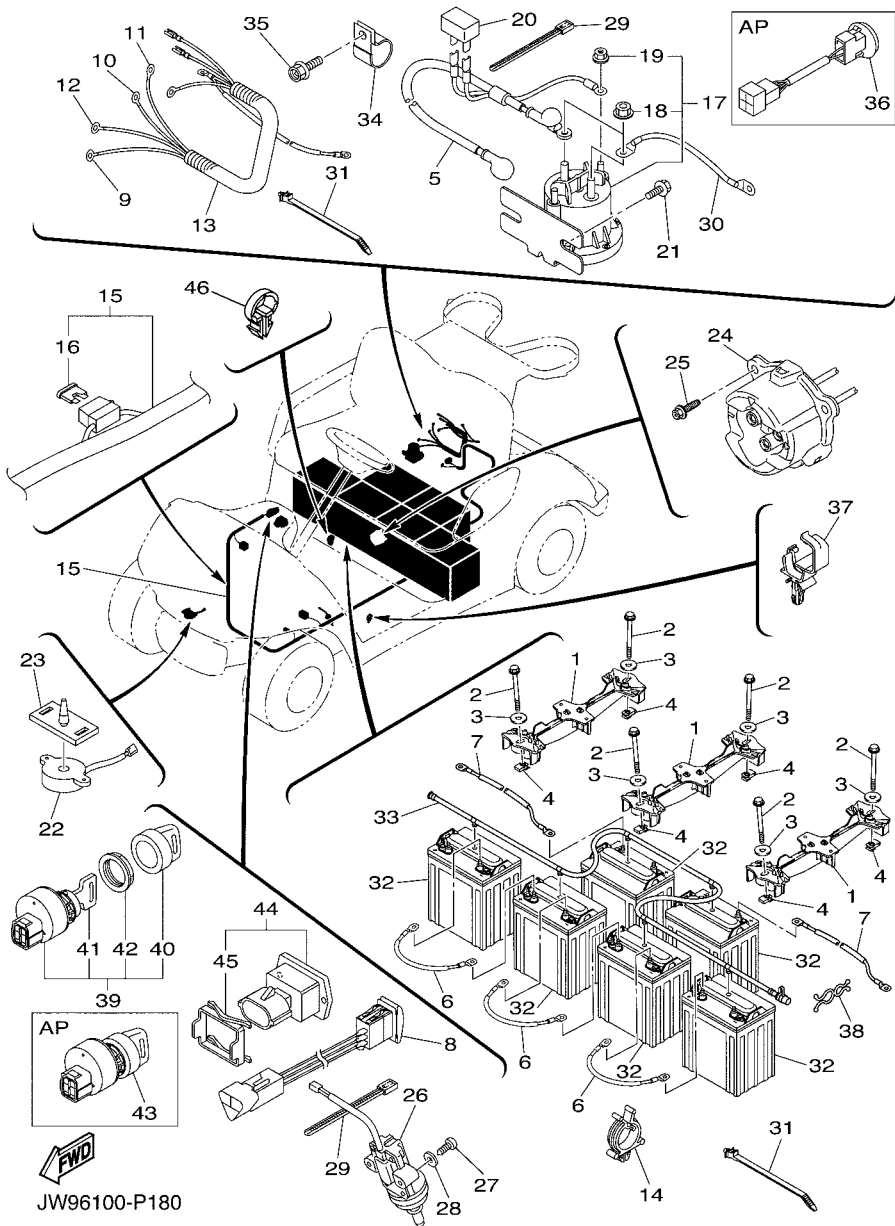


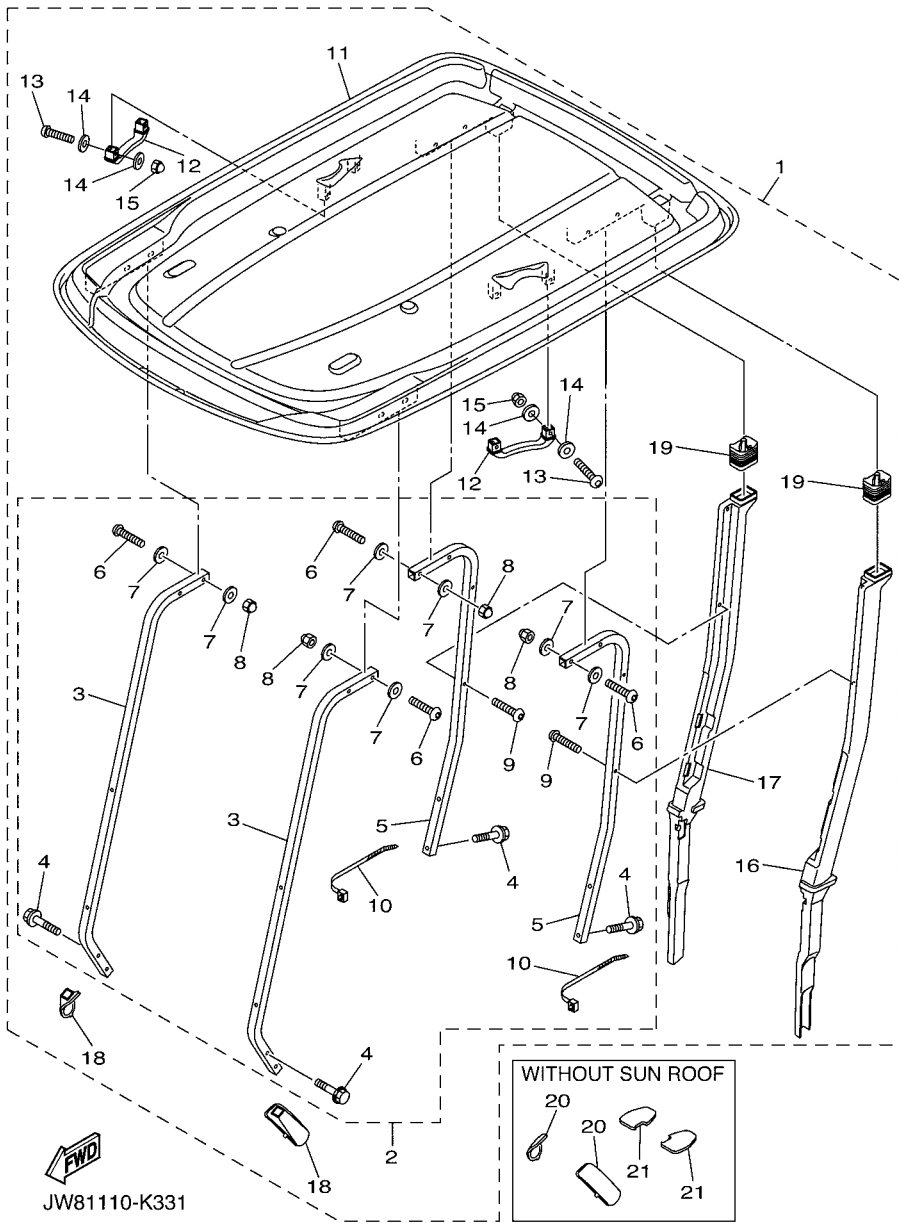
FIG. 18 ELECTRICAL 1



REF. NO.	PART NO.	DESCRIPTION	JW96		REMARKS
27	98502-05025	SCREW, PAN HEAD	2		
28	92902-05600	WASHER, PLATE	2		
29	90464-40825	CLAMP	4		
30	JW2-H6527-00	WIRE 7	1		
31	90464-20005	CLAMP	9		
32	*	BATTERY ASSY	6		LM
33	JW9-H210G-00	BATTERY WATERING SYSTEM ASSY.	1		
34	90461-14108	CLAMP	1		
35	90105-08867	BOLT, FLANGE	1		
36	JU2-HA2F0-00	TRANSMITTER UNIT	1		AP
37	90464-20237	CLAMP	3		
38	90464-14134	CLAMP	1		
39	JW1-H2510-00	MAIN SWITCH ASSY	1		STD
40	5UG-H2579-00	.CAP, KEY	1		
41	JU2-H2511-00	.KEY, MAIN SWITCH	2		
42	JU6-H2569-00	.NUT, MAIN SWITCH	1		
43	JU2-H2510-20	MAIN SWITCH ASSY	1		AP RANOMEKEY
44	JW2-H351B-00	GAUGE, BATTERY	1		EXCEPT FOR CAN
45	JW1-H1128-00	.CLAMP	1		EXCEPT FOR CAN
46	90464-19815	CLAMP	1		

FIG. 21 ALTERNATE FOR SUN ROOF

REF. NO.	PART NO.	DESCRIPTION	JW96			REMARKS
1	JW1-K84A0-01	SUN TOP KIT	1			AP
2	JW1-K84A2-01	.HARDWARE KIT, SUN TOP	1			
3	JW1-K8312-00	..SUPPORT, SUN ROOF 1	2			
4	JW1-K8388-00	..BOLT, ROOF 1	8			
5	JW1-K8313-01	..SUPPORT, SUN ROOF 2	2			
6	JU0-K8388-00	..BOLT, ROOF 1	8			
7	JW1-F1549-01	..WASHER, FENDER MOLD	16			
8	JU0-K8398-00	..NUT, ROOF 1	8			
9	JW1-K7387-00	..SCREW	4			
10	90464-76800	..CLAMP	2			
11	JW1-K8314-10	.COVER, SUN ROOF	1			
12	JW1-K8214-00	.GRIP, HAND	2			
13	JU0-K8388-00	.BOLT, ROOF 1	4			
14	JW1-F1549-01	.WASHER, FENDER MOLD	8			
15	JU0-K8398-00	.NUT, ROOF 1	4			
16	JW1-F413G-00	.TUBE, DRAIN	1			
17	JW1-F413J-00	.TUBE, DRAIN 2	1			
18	JW1-K832F-10	.GROMMET, ROOF SUPPORT 1	2			AP
19	JW1-F414G-10	.SEAL	2			
20	JW1-K832H-00	GROMMET, ROOF SUPPORT 3	2			AP
21	JW1-K833H-00	GROMMET, ROOF SUPPORT 4	2			AP



NUMERICAL INDEX

PART NO.	REF. NO.	PART NO.	REF. NO.	PART NO.	REF. NO.	PART NO.	REF. NO.	PART NO.	REF. NO.	PART NO.	REF. NO.
401-22128-01	3 - 16	JU0-F3570-20	3 - 1	JW8-F7118-00	6 - 41	JW9-G4136-00	8 - 9	JW9-H210G-00	18 - 33	JW8-K7762-11	4 - 38
2NL-23448-00	3 - 9	JW1-F3811-02	4 - 1	JW8-F7119-00	6 - 28	JW8-G4178-00	8 - 31	JU2-H2113-20	16 - 15	JW8-K7762-21	4 - 38
2NL-23517-00	3 - 11	JW1-F3812-00	4 - 13	JW8-F7121-00	6 - 13	JW8-G5244-00	8 - 32	JW9-H2115-20	18 - 5	JW9-K7768-30	11 - 11
2HR-23526-00	3 - 3	JW1-F3822-01	4 - 29	JW9-F7200-21	6 - 2	JW8-G5378-00	8 - 21	JW9-H2127-00	18 - 6	JW9-K7768-40	11 - 11
JW8-23841-01	4 - 27	JU0-F3828-10	4 - 4	JW8-F7213-20	6 - 34	JW9-G6290-10	8 - 2	JW9-H2136-00	18 - 1	JW9-K7768-50	11 - 11
J38-27204-00	7 - 15	1P0-F3833-00	4 - 26	JW8-F7217-00	6 - 32	JW8-G6300-10	7 - 1	JW9-H2149-00	18 - 7	JW2-K8114-02	11 - 7
J38-27205-00	7 - 4	JW1-F3837-00	4 - 22	JW8-F7218-00	6 - 10	JW9-G6300-10	8 - 1	JR1-H2151-00	18 - 16	JW2-K8114-12	11 - 7
J55-27260-00	7 - 9	JN3-F3838-00	4 - 6	JW9-F7221-00	6 - 14	JW9-G6312-00	8 - 18	JU2-H218E-01	16 - 33	JW1-K8115-01	11 - 1
J55-27270-00	7 - 20	5UG-F3844-00	4 - 19	JW9-F7228-00	6 - 23	JW9-G631A-00	8 - 17	JR1-H235A-00	19 - 5	JW1-K8115-11	11 - 1
J10-27282-00	7 - 6	JU0-F3857-11	4 - 3	JW9-F7231-10	6 - 18	JW9-G6321-00	8 - 4	JW1-H2510-00	18 - 39	JW1-K8115-21	11 - 1
	7 - 17		4 - 5	JW9-F7232-00	6 - 19	JW9-G6350-00	8 - 12	JU2-H2510-20	18 - 43	JW1-K8115-31	11 - 1
JW9-81962-00	19 - 3	JW1-F3866-00	4 - 24	JW9-F7245-10	6 - 30	JN3-G6432-00	8 - 19	JU2-H2511-00	18 - 41	JW1-K8115-80	11 - 1
JW9-82107-02	19 - 1	JW1-F387A-00	4 - 11	JW9-F7246-20	6 - 46	JR1-G6511-00	8 - 24	JU2-H2517-20	16 - 19	JW1-K8115-90	11 - 1
JW9-82174-00	19 - 2	JW1-F387E-00	4 - 14	JW9-F7263-00	6 - 49	JR1-G6512-00	8 - 25	JU2-H2521-20	18 - 9	JW1-K8115-W0	11 - 1
JF7-82817-22	18 - 26	5UG-F387F-00	4 - 17	JW8-F7280-00	7 - 13	JW8-G6514-00	8 - 30	JU2-H2531-20	18 - 10	JW9-K811K-00	18 - 4
JW9-85371-00	18 - 20	5UG-F387G-00	4 - 15	JW8-F7281-00	7 - 5	JW8-G6521-00	8 - 36	JU6-H2569-00	18 - 42	JW1-K8142-00	12 - 1
JW1-F1549-01	21 - 7	5UG-F387J-00	4 - 18		7 - 16	JW1-H1128-00	18 - 45	5UG-H2579-00	18 - 40	JW1-K8142-10	12 - 1
	21 - 14	5UG-F387K-00	4 - 16	JW8-F7286-00	7 - 10	JU2-H1160-20	16 - 3	JW9-H2590-40	18 - 15	JW1-K8142-20	12 - 1
JW1-F1738-00	2 - 3	JW1-F3894-00	4 - 25		7 - 21	JU2-H1617-20	16 - 4	JW9-H2590-70	18 - 15	JW1-K8142-30	12 - 1
	2 - 7	JW1-F413G-00	21 - 16	JW8-F7290-00	7 - 2	JU2-H1670-21	16 - 16	JW2-H2727-00	17 - 2	JW1-K8142-80	12 - 1
	2 - 11	JW1-F413J-00	21 - 17	JW8-F7316-01	6 - 31	JW9-H1674-00	17 - 3	JU2-H272L-20	16 - 17	JW1-K8142-90	12 - 1
JW9-F2110-11	1 - 1	JW1-F414G-10	21 - 19	JW8-F7317-00	6 - 40	JU2-H1801-20	16 - 6	JU2-H2917-00	18 - 8	JW1-K8142-W0	12 - 1
JN6-F2123-10	1 - 2	JW1-F4161-10	11 - 5	JW8-F7318-00	6 - 20	JU2-H181K-20	16 - 14	JU2-H332D-20	16 - 20	JW1-K8151-00	12 - 10
JN6-F2124-10	1 - 6	JW8-F41B8-00	6 - 51	JW8-F7322-00	6 - 15	JR1-H3383-02	16 - 9	JR1-H3383-02	18 - 22	JW1-K8164-00	10 - 2
JW1-F217G-10	1 - 10	JW8-F4486-00	6 - 44	JW9-F7411-01	2 - 2	JU2-H1824-20	16 - 22	JN6-H3386-01	18 - 23	JW8-K8167-00	20 - 6
JW9-F2198-01	2 - 6		6 - 48	JW8-F7416-00	6 - 8	JU2-H1828-20	16 - 13	JW2-H351B-00	18 - 44	JW1-K818A-00	13 - 2
JW2-F2210-10	1 - 14	JW9-F4648-20	6 - 50	JW8-F7426-01	6 - 17	JH7-H1829-00	16 - 28	JU2-H5722-20	16 - 18	JW1-K818B-00	13 - 5
JW9-F2417-00	2 - 12	JW1-F467K-00	4 - 23	JW8-F7434-00	6 - 39	JU2-H182A-20	16 - 30	JW9-H5885-00	6 - 52	JW1-K8191-00	13 - 6
JW8-F2501-01	2 - 1	JW1-F5100-01	9 - 1	JW8-F7435-00	6 - 56	JU2-H182G-20	16 - 7	JU2-H6171-20	18 - 11	JW1-K8192-00	13 - 7
JW9-F252M-00	2 - 4	JW8-F5118-00	8 - 37	JW8-F7438-00	6 - 38	JU2-H182H-20	16 - 24	JW9-H6172-00	18 - 12	JW1-K8214-00	21 - 12
JW9-F2535-00	2 - 10	JN6-F5118-01	3 - 29	JW9-F7445-30	6 - 33	JU2-H182K-20	16 - 23	JW9-H6181-00	18 - 24	JW1-K8233-30	11 - 15
JW1-F258G-02	2 - 8	JW8-F5415-00	6 - 25	JW8-F7814-21	6 - 3	JU2-H1835-20	16 - 32	JW2-H6510-01	17 - 1	JW1-K8237-10	12 - 7
JW1-F2873-10	12 - 4	JW9-F5666-00	6 - 12		6 - 43	JU2-H183J-20	16 - 12	JW2-H6527-00	18 - 30	JW1-K8245-00	11 - 18
JW1-F2874-10	12 - 5	JW9-F5671-00	6 - 5	JW8-F7825-01	6 - 27	JU2-H1840-20	16 - 5	JU2-H7196-20	18 - 13	JW1-K8261-00	11 - 20
JW7-F312H-00	5 - 5	JW9-F5672-00	6 - 4	JW9-F7850-30	6 - 1	JU2-H1843-20	16 - 8	JU2-HA2F0-00	18 - 36	JW1-K8262-00	11 - 23
JW1-F3183-00	4 - 12	JW9-F5673-00	6 - 45	JW9-F7853-00	6 - 35	JU2-H1850-20	16 - 2	GCA-JW121-00	20 - 2	JW1-K8270-11	13 - 1
JW8-F3183-00	6 - 16	JW8-F5681-10	5 - 6	JW9-F7871-10	6 - 36	JU2-H1856-20	16 - 10	GCA-JW122-00	20 - 7	JW1-K8273-00	11 - 17
JW2-F3350-00	3 - 14	JN6-F5685-01	5 - 7	JW9-F7872-20	6 - 37	JU2-H185A-20	16 - 29	JW1-K6179-01	12 - 9	JW9-K827A-00	12 - 6
JW2-F3390-00	3 - 19	JW9-F5827-00	6 - 53	JW8-F815H-01	6 - 42	JU2-H185B-20	16 - 11	JW8-K7173-00	20 - 4	JW9-K8297-00	12 - 13
JW1-F3394-00	18 - 25	JW9-F5827-10	6 - 53	JW8-F8319-00	6 - 29	JU2-H1872-20	16 - 31	JW8-K7200-00	20 - 1	JW9-K8297-10	12 - 13
JW1-F3396-01	11 - 3	JW8-F6314-00	6 - 21	JW8-F8323-00	6 - 24	JU2-H1890-21	16 - 1	JW8-K7200-01	20 - 1	JW9-K8298-10	12 - 12
	13 - 3	JW9-F632G-00	6 - 54	JW8-F8331-00	6 - 47	JW9-H1892-00	18 - 2	JW8-K7200-21	20 - 3	JW9-K8298-20	12 - 12
JW1-F3400-00	4 - 10	JW9-F6341-10	5 - 1	JW8-F8363-00	6 - 7	JU2-H191B-20	16 - 21	JW8-K7200-31	20 - 3	JW1-K8312-00	21 - 3
5UG-F3489-00	4 - 20	JW9-F6351-10	5 - 2	JW8-G2535-00	8 - 33	JW9-H1950-20	18 - 17	JW8-K7222-10	20 - 5	JW1-K8313-01	21 - 5
JU0-F3511-10	3 - 4	JW8-F639L-00	6 - 22	JW8-G2536-00	8 - 34	JU2-H1962-00	19 - 6	JW1-K7387-00	21 - 9	JW1-K8314-10	21 - 11
JW1-F3512-00	3 - 5	JW8-G639N-00	6 - 9	JW8-G2541-00	8 - 38	JU2-H1962-10	19 - 6	JW1-K7510-01	10 - 1	JW1-K832F-10	21 - 18
JU0-F3521-10	3 - 12	JW8-F7113-00	6 - 11	JW8-G2756-00	8 - 35	JU2-H1962-20	19 - 6	JW8-K7540-00	10 - 5	JW1-K832H-00	21 - 20
5UG-F3527-00	4 - 21	JW8-F7117-00	6 - 6	JH7-G3396-01	8 - 10	JW2-H2107-13	19 - 4	JW8-K7762-00	4 - 38	JW1-K833H-00	21 - 21

NUMERICAL INDEX

PART NO.	REF. NO.	PART NO.	REF. NO.	PART NO.	REF. NO.	PART NO.	REF. NO.	PART NO.	REF. NO.	PART NO.	REF. NO.
JW1-K8340-00	14 - 3	90114-12806	3 - 22	90464-14134	18 - 38	95812-12065	1 - 7				
JW1-K834G-00	14 - 8	90119-06244	11 - 21	90464-19815	18 - 46	95812-12080	3 - 17				
JN6-K8355-20	14 - 7	90119-06808	15 - 10	90464-20005	18 - 31	95822-06012	10 - 4				
JF2-K8356-00	14 - 6	90119-10044	1 - 5	90464-20237	18 - 37	95822-06016	17 - 4				
JW8-K8357-00	4 - 32	90159-06845	14 - 12	90464-25826	18 - 14	97012-08030	4 - 30				
JN6-K8358-01	4 - 33	90163-06802	15 - 8	90464-40825	18 - 29	97012-10020	1 - 11				
JW8-K835E-00	11 - 12	90170-08841	8 - 23	90464-76800	21 - 10	9708R-06020	14 - 9				
JW1-K8361-00	15 - 2	90170-10840	8 - 16	90468-20196	5 - 4	97702-40525	4 - 34				
JW1-K8362-00	15 - 4	90173-06010	11 - 22	90502-10013	4 - 36	98502-05025	18 - 27				
JN6-K8380-00	14 - 11	90179-05886	18 - 19	90506-14001	7 - 8	99001-09600	5 - 11				
JU0-K8388-00	21 - 6	90179-08822	5 - 8		7 - 19						
	21 - 13	90179-08887	18 - 18	90506-20281	7 - 7						
JW1-K8388-00	21 - 4	90179-12262	9 - 2		7 - 18						
JU0-K8398-00	21 - 8	90179-13800	1 - 4	91490-25015	5 - 13						
	21 - 15	90183-05008	11 - 9	91490-30030	8 - 26						
			11 - 14	91702-08018	5 - 12						
JW1-K8401-12	15 - 1		11 - 6	91702-10026	5 - 3						
JW1-K8402-10	15 - 9	90183-06071	14 - 10	92902-05600	18 - 28						
JW1-K8423-10	14 - 1	90185-06836	4 - 7	92902-08600	4 - 31						
JW1-K8426-00	15 - 5	90185-12008	4 - 35	92902-10100	1 - 12						
JW1-K8427-00	15 - 7	90201-04810	6 - 55	92902-10600	1 - 13						
JW1-K84A0-01	21 - 1	90201-05824	16 - 27	92902-12200	4 - 8						
JW1-K84A2-01	21 - 2	90201-068E2	14 - 5	9299R-06200	14 - 13						
JN9-W2536-00	7 - 3	90201-068G7	18 - 3	93101-24822	8 - 27						
	7 - 14	90201-08310	7 - 12	93102-30083	3 - 26						
JG5-WF511-10	3 - 21	90201-121H8	7 - 23	93210-148B9	8 - 13						
90101-069U0	16 - 25		7 - 11	93210-478B8	8 - 6						
90101-08855	8 - 22	90201-121H9	7 - 22	93306-00440	8 - 29						
90101-08856	8 - 20		1 - 9	93306-005Y1	8 - 7						
90101-10854	8 - 15	90201-128S4	3 - 27	93306-005Y3	3 - 24						
90105-06129	15 - 3	90208-14801	16 - 26	93306-007Y0	8 - 14						
90105-06831	2 - 5	90215-06811	5 - 10	93306-203X1	8 - 8						
	2 - 9	90249-14129	11 - 2	93306-204X0	3 - 23						
	18 - 21	90269-06800	11 - 19	93306-303Y6	8 - 11						
90105-06870	11 - 4	90269-06804	12 - 2	93420-44805	8 - 28						
90105-08867	18 - 35		13 - 4	93420-50804	8 - 5						
90105-088B0	10 - 3		11 - 10	95307-08700	5 - 9						
90105-10219	3 - 8	90269-07001	12 - 3	95602-06200	17 - 5						
90105-10267	3 - 13	90269-08813	12 - 8	95602-10200	1 - 16						
	3 - 20		12 - 11		3 - 7						
90105-10373	3 - 6		11 - 16		10 - 6						
90105-10840	8 - 3	90269-09003	3 - 10	95602-12200	1 - 8						
90105-10847	4 - 28	90381-17067	3 - 2		4 - 9						
90105-13800	1 - 3	90381-18001	6 - 26	95602-14100	3 - 28						
90109-08002	14 - 2	90386-12800	4 - 37	95612-12100	3 - 18						
90110-06102	14 - 4	90387-046N7	3 - 15	95812-08020	4 - 2						
90110-06125	15 - 6	90387-12016	3 - 25		6 - 57						
90111-05805	11 - 8	90387-241M7	18 - 34	95812-10055	1 - 15						
	11 - 13	90461-14108									