



PARTS CATALOGUE

DR2E17 AC (J0J1) CANADA, EUROPE, OTHERS



1SJ0J-100E1

()

DR2E17 AC
PARTS CATALOGUE
©2016 by Yamaha Motor Co., Ltd.
1st edition, August 2016
All rights reserved.
Any reprinting or unauthorized use
without the written permission of
Yamaha Motor Co., Ltd.
is expressly prohibited.
Printed in Japan.

FOREWORD

This Parts Catalogue is related to the parts for the model(s) on the cover page. When you are ordering replacement parts, please refer to this Parts Catalogue and quote both part numbers and part names correctly.

1. Modifications or additions which have been made after the issue of the Parts Catalogue will be announced in the Parts News.
It is advisable that you make the necessary corrections to the Parts Catalogue according to the Parts News.

2. Abbreviations

The following abbreviations are used in this Parts Catalogue.

“UR” Use specified parts number.

“UN” Use as many as needed.

“AP” Alternate Parts

“LM” Locally Made (Parts need to be ordered locally)

“F#” Frame No. (Applicable machine No.)

“O/S” Over Size

3. The number of components for assembly

- Parts, which are to be supplied in an assembly, are listed with a dot (.) in front of the part name as shown below.
- The numeral appearing to the right of each component part indicates the quantity of parts for each assembly unit.

PART NO.	DESCRIPTION	Q'TY	REMARKS
2F5-83310-60	FRONT FLASHER LIGHT ASSY	2	
115-83311-60	.BULB (6V-18W)	1	

4. Applicable colours of graphics are represented in the “REMARKS” as shown below.

PART NO.	DESCRIPTION	Q'TY	REMARKS
2N4-24110-00-X5	FUEL TANK COMP.	2	MXR
3J1-24240-10	.GRAPHIC, FUEL TANK	1	FOR MXR

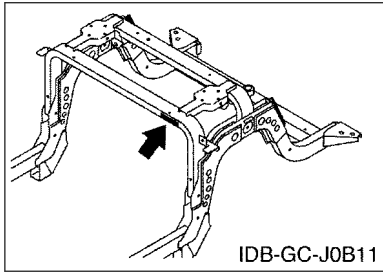
5. Note that the illustrations for reference in finding parts numbers are not to be used for assembling. When assembling, please use the applicable service manual.

6. The asterisk (*) before a reference number indicates modified items after the first edition.

FOREWORD

7. Applicable Serial No.

Frame Serial No.



8. Applicable Colour Code (The (*) mark shows Model colour.)

Abbreviation	Colour Name	Colour Code
BW1(*)	BLUISH WHITE 1	1571
DNBME(*)	DARK GRAYISH BLUE METALLIC E	0866
DNMC(*)	DARK GRAY METALLIC C	0922
DYNM2(*)	DARK YELLOWISH GRAY METALLIC 2	1509
HTR(*)	HEAT RED	00EY
LNMP(*)	LIGHT GRAY METALLIC P	0925
LN YM8(*)	LIGHT GRAYISH YELLOW ME 8	1047
NYS4(*)	GRAYISH YELLOW SOLID 4	1459
VDGS1(*)	VERY DARK GREEN SOLID 1	0614

9. Quantity Column Information

Column No.	Name Of Q'ty Column	Destination
1	J0J1	CANADA, EUROPE, OTHERS

10. Applicable Starting Serial No.

Frame Serial No.

Serial No.	Name Of Q'ty Column	Model Code
J0J-000101	J0J1	J0J1

CONTENTS

BODY

REAR ARM & SUSPENSION.....	1
FRAME.....	2
FRONT SUSPENSION.....	3
STEERING.....	5
PEDAL WIRE.....	7
PEDAL ASSEMBLY.....	8
BRAKE.....	11

DRIVE

TRANSAXLE.....	12
WHEEL.....	14
BUMPER.....	15
BODY.....	16
BODY 2.....	18
BODY FITTING.....	20
CARRIER.....	21
SEAT.....	22

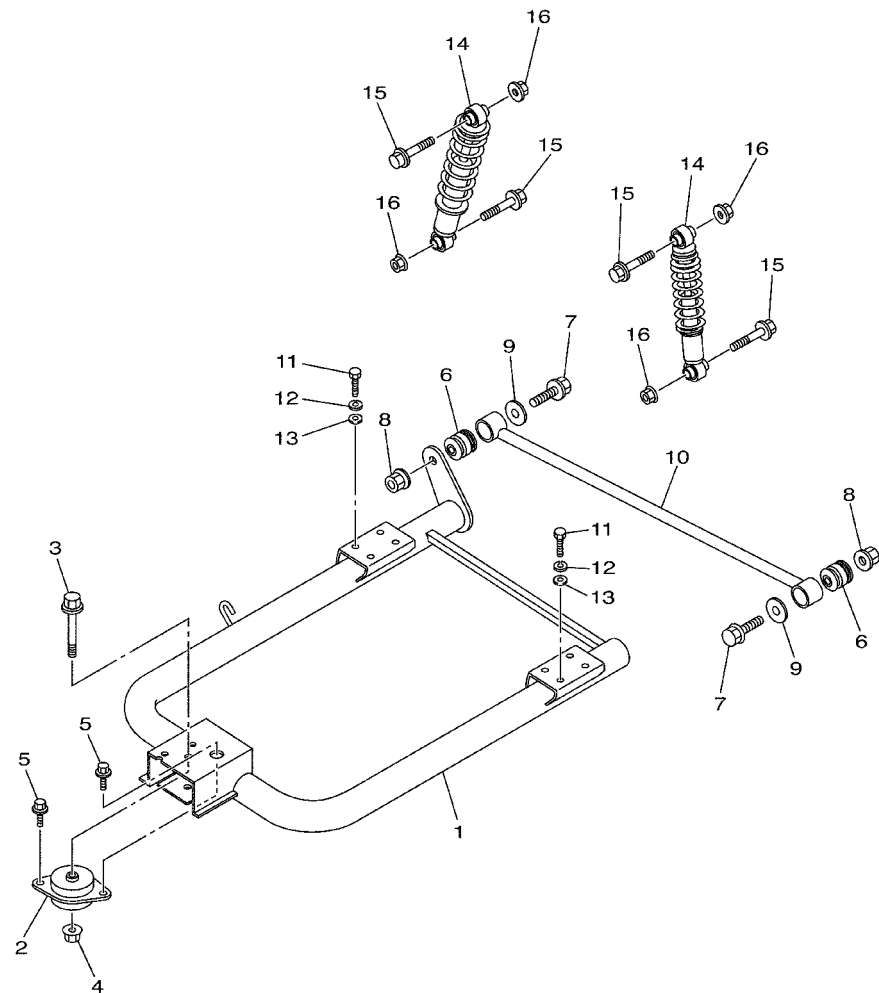
ELECTRICAL

ELECTRIC MOTOR.....	23
CONTROLLER 1.....	24
ELECTRICAL 1.....	25
BATTERY CHARGER.....	27
ALTERNATE FOR WINDSHIELD.....	28
ALTERNATE FOR SUN ROOF.....	29

INDEX

NUMERICAL INDEX.....	30
----------------------	----

FIG. 1 REAR ARM & SUSPENSION



J0C1110-S010

REF. NO.	PART NO.	DESCRIPTION	J0C1				REMARKS
1	J0C-F2110-00	REAR ARM COMP.	1				
2	JN6-F2123-10	BUSH 1	1				
3	90105-13800	BOLT, FLANGE	1				
4	90179-13800	NUT	1				
5	90119-10044	BOLT, WITH WASHER	2				
6	JN6-F2124-10	BUSH 2	2				
7	95812-12065	BOLT, FLANGE	2				
8	95602-12200	NUT, SELF-LOCKING	2				
9	90201-128S4	WASHER, PLATE	2				
10	JW1-F217G-10	ROD, CONNECTING 2	1				
11	97012-10020	BOLT	8				
12	92902-10100	WASHER, SPRING	8				
13	92902-10600	WASHER, PLATE	8				
14	J0C-F2210-00	SHOCK ABSORBER ASSY, REAR	2				
15	95812-10055	BOLT, FLANGE	4				
16	95602-10200	NUT, S/L FLANGE	4				

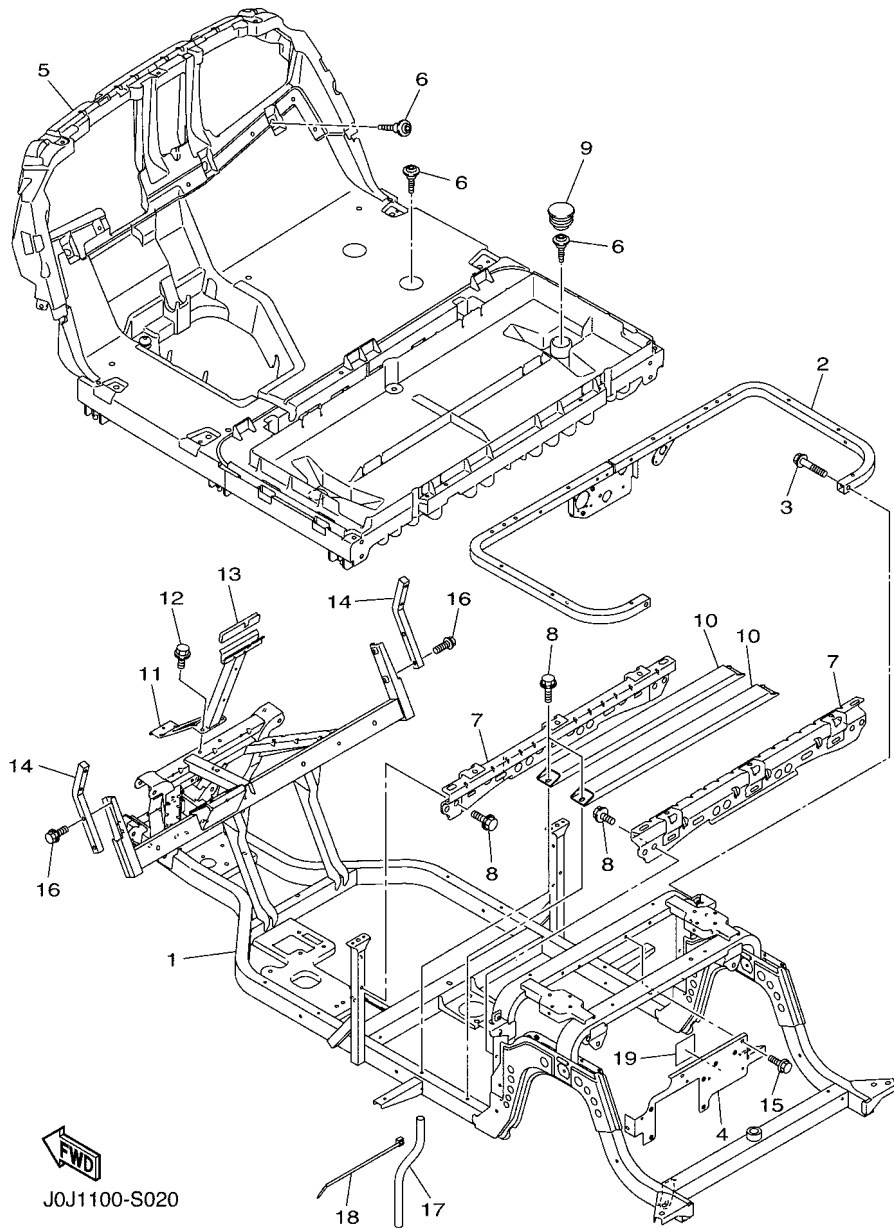
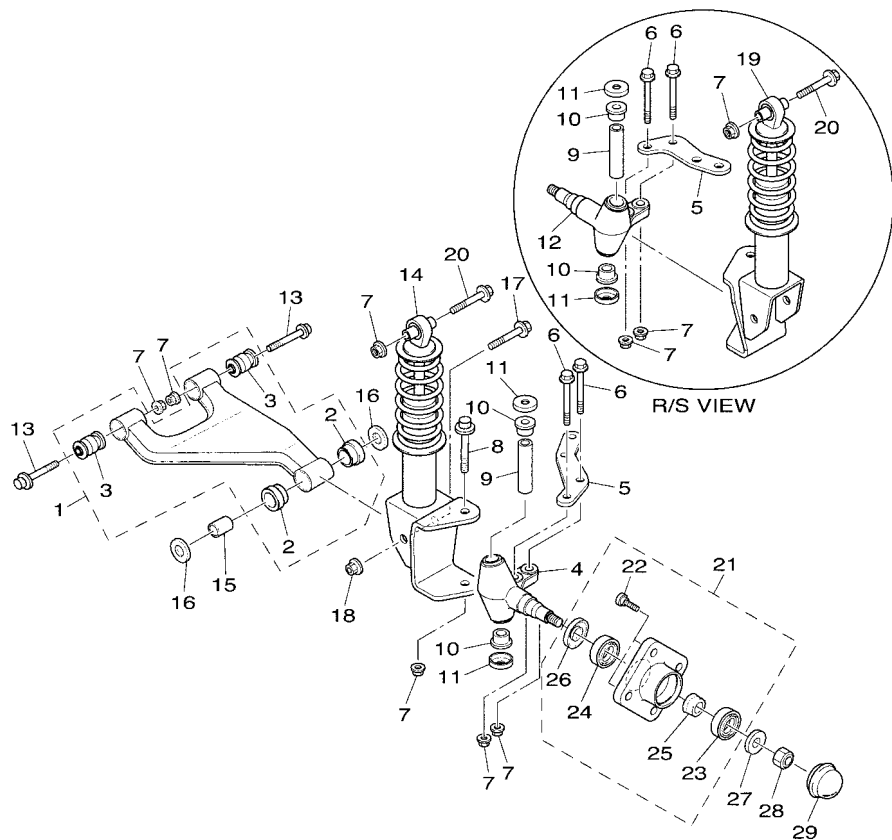


FIG. 2 FRAME

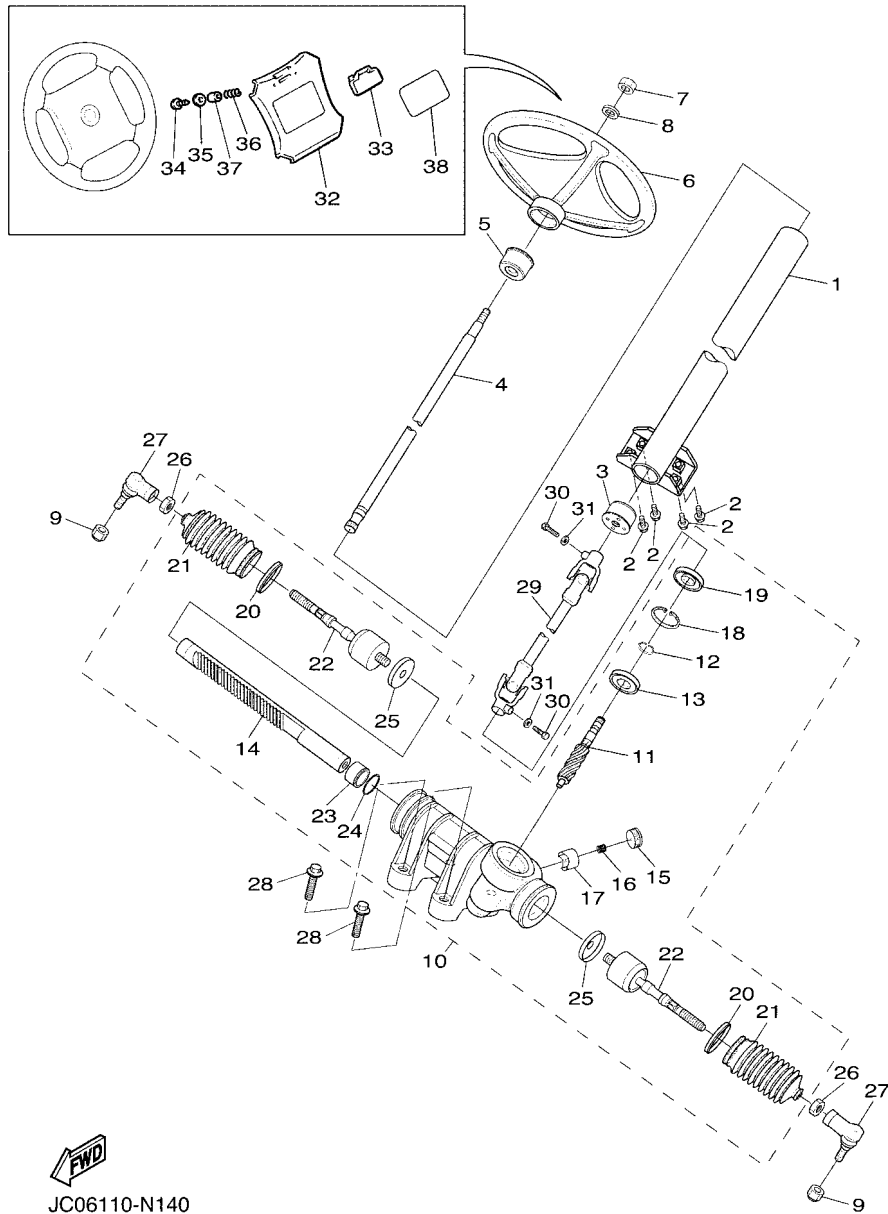
REF. NO.	PART NO.	DESCRIPTION	J0J1	REMARKS
1	J0A-F2501-00	FRAME COMP.	1	
2	J0B-F255G-00	MEMBER, SEAT SUPPORT	1	
3	95812-08040	BOLT, FLANGE	2	
4	JC1-F252M-10	BRACKET, 3	1	
5	J0C-F7411-01	FOOTREST 1	1	
6	J0B-F1738-00	BOLT	9	
7	JW9-F2535-00	STAY, BATTERY 1	2	
8	JW1-F1738-00	BOLT	8	
9	JW9-F2417-00	PLUG	2	
10	JW9-F2198-10	MEMBER, CROSS	2	
11	J0B-F258E-00	SUPPORT, FRONT COWL	1	
12	90105-08867	BOLT, FLANGE	2	
13	J0B-F2127-00	SHIM	1	
14	J0B-K816M-00	REAR STORAGE BOX COMP.	2	
15	90105-06831	BOLT, FLANGE	3	
16	90105-088B6	BOLT, FLANGE	4	
17	J0B-F125J-00	PIPE, DRAIN	2	
18	90464-76800	CLAMP	2	
19	JW2-K8298-10	PLATE, CAUTION 2 (E,F)	1	UR FOR CAN
	JW2-K8298-20	PLATE, CAUTION 2 (G,S)	1	UR EXCEPT FOR CAN

FIG. 3 FRONT SUSPENSION



J0C1110-S030

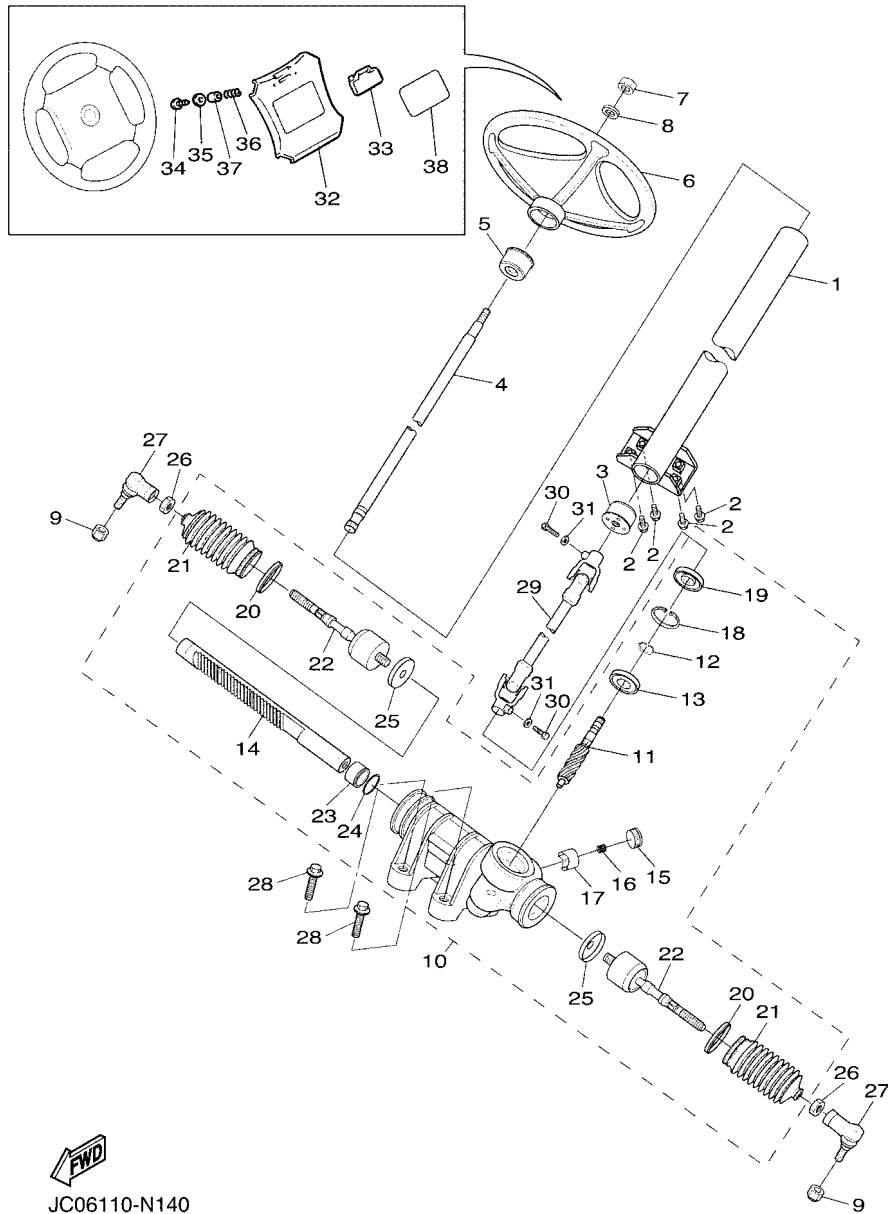
REF. NO.	PART NO.	DESCRIPTION	J0C1				REMARKS
1	J0B-F3570-10	FRONT LOWER ARM COMP. (LEFT)	2				
2	90381-18801	.BUSH, SOLID	2				
3	2HR-23526-00	.BUSH	2				
4	JU0-F3511-20	KNUCKLE, STEERING 1	1				
5	JW1-F3512-00	ARM, KNUCKLE 1	2				
6	90105-10373	BOLT, FLANGE	4				
7	95602-10200	NUT, S/L FLANGE	12				
8	90105-10219	BOLT, FLANGE	2				
9	2NL-23448-00	SPACER	2				
10	90381-17800	BUSH, SOLID	4				
11	2NL-23517-00	COVER, THRUST 1	4				
12	JU0-F3521-20	KNUCKLE, STEERING 2	1				
13	90105-10267	BOLT, FLANGE	4				
14	J0C-F3350-00	SHOCK ABSORBER ASSY	1				
15	90387-12016	COLLAR	2				
16	401-22128-01	COVER, THRUST 1	4				
17	95812-12080	BOLT, FLANGE	2				
18	95612-12100	NUT, U	2				
19	J0C-F3390-00	SHOCK ABSORBER ASSY 2	1				
20	90105-10267	BOLT, FLANGE	2				
21	JW8-F5103-00	HUB BEARING UNIT ASSY	2				
22	90114-12806	.BOLT, SERRATION	4				
23	93306-204X0	.BEARING	1				
24	93306-005Y3	.BEARING	1				
25	90387-241M7	.COLLAR	1				
26	93102-30083	.OIL SEAL	1				
27	90208-14801	WASHER, CONICAL SPRING	2				



JC06110-N140

FIG. 4 STEERING

REF. NO.	PART NO.	DESCRIPTION	JOU1				REMARKS
1	JW1-F3811-03	COLUMN, STEERING	1				
2	95812-08020	BOLT, FLANGE	4				
3	JU0-F3857-11	HOLDER	1				
4	JU0-F3828-10	ROD, STEERING	1				
5	JU0-F3857-11	HOLDER	1				
6	JN3-F3838-00	WHEEL, STEERING	1				
7	90185-12008	NUT, SELF-LOCKING	1				
8	92902-12200	WASHER	1				
9	95602-12200	NUT, SELF-LOCKING	2				
10	JW1-F3400-00	STEERING ASSY	1				
11	JW1-F387A-00	.GEAR, PINION	1				
12	JW1-F3183-00	.CIRCLIP	1				
13	JW1-F3812-00	.BEARING, STEERING	1				
14	JW1-F387E-00	.GEAR, RACK	1				
15	5UG-F387G-00	.COVER, ADJUST	1				
16	5UG-F387K-00	.SPRING, PRESSURE	1				
17	5UG-F387F-00	.PAD, PRESSURE	1				
18	5UG-F387J-00	.RING, STOPPER	1				
19	5UG-F3844-00	.SEAL	1				
20	5UG-F3489-00	.BAND	2				
21	5UG-F3527-00	.SEAL, DUST 1	2				
22	JW1-F3837-00	.ROD, TIE 2	2				
23	JW1-F467K-00	.BUSH, CAP	1				
24	JW1-F3866-00	.CIRCLIP	1				
25	JW1-F3894-00	.WASHER, LOCK 1	2				
26	1P0-F3833-00	NUT 1	2				
27	JW8-23841-01	JOINT, UNIVERSAL 1	2				

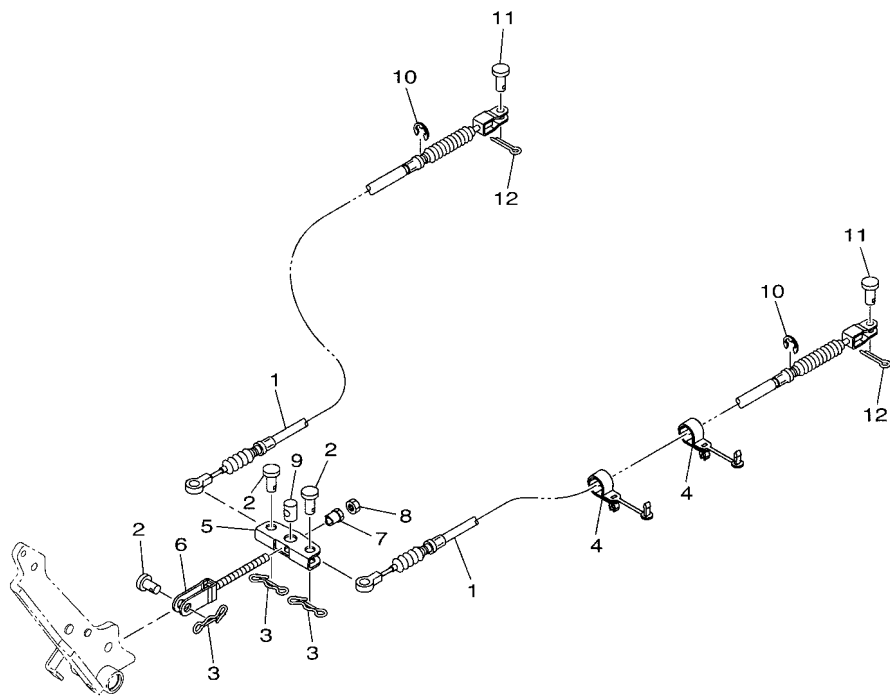


JC06110-N140

FIG. 4 STEERING

REF. NO.	PART NO.	DESCRIPTION	JOU1			REMARKS
28	90105-10847	BOLT, FLANGE	4			
29	JW1-F3822-01	JOINT 1	1			
30	97012-08030	BOLT	2			
31	92902-08600	WASHER, PLATE	2			
32	JW8-K8357-00	HOLDER 1	1			
33	JN6-K8358-01	HOLDER 2	1			
34	97702-40525	SCREW, TAPPING	2			
35	90201-04810	WASHER, PLATE	2			
36	90502-10013	SPRING, CONICAL	2			
37	90387-046N7	COLLAR	2			
38	JW8-K7762-00	LABEL, WARNING 2	1			UR FOR CAN
	JW8-K7762-11	LABEL, WARNING 2 (E, F)	1			UR EXCEPT FOR CAN
	JW8-K7762-21	LABEL, WARNING 2 (G, S)	1			UR EXCEPT FOR CAN

FIG. 5 PEDAL WIRE



REF. NO.	PART NO.	DESCRIPTION	QTY	REMARKS
1	JW9-F6351-10	CABLE, BRAKE	2	
2	91702-10026	PIN, CLEVIS	3	
3	90468-20196	CLIP	3	
4	JW7-F312H-00	CLAMP	4	
5	JW8-F5681-10	EQUALIZER, BRAKE	1	
6	JN6-F5685-01	ROD	1	
7	90179-08822	NUT	1	
8	95307-08700	NUT	1	
9	90249-14129	PIN	1	
10	99001-09600	CIRCLIP	2	
11	91702-08018	PIN, CLEVIS	2	
12	91490-25015	PIN, COTTER	2	



JW97110-R050

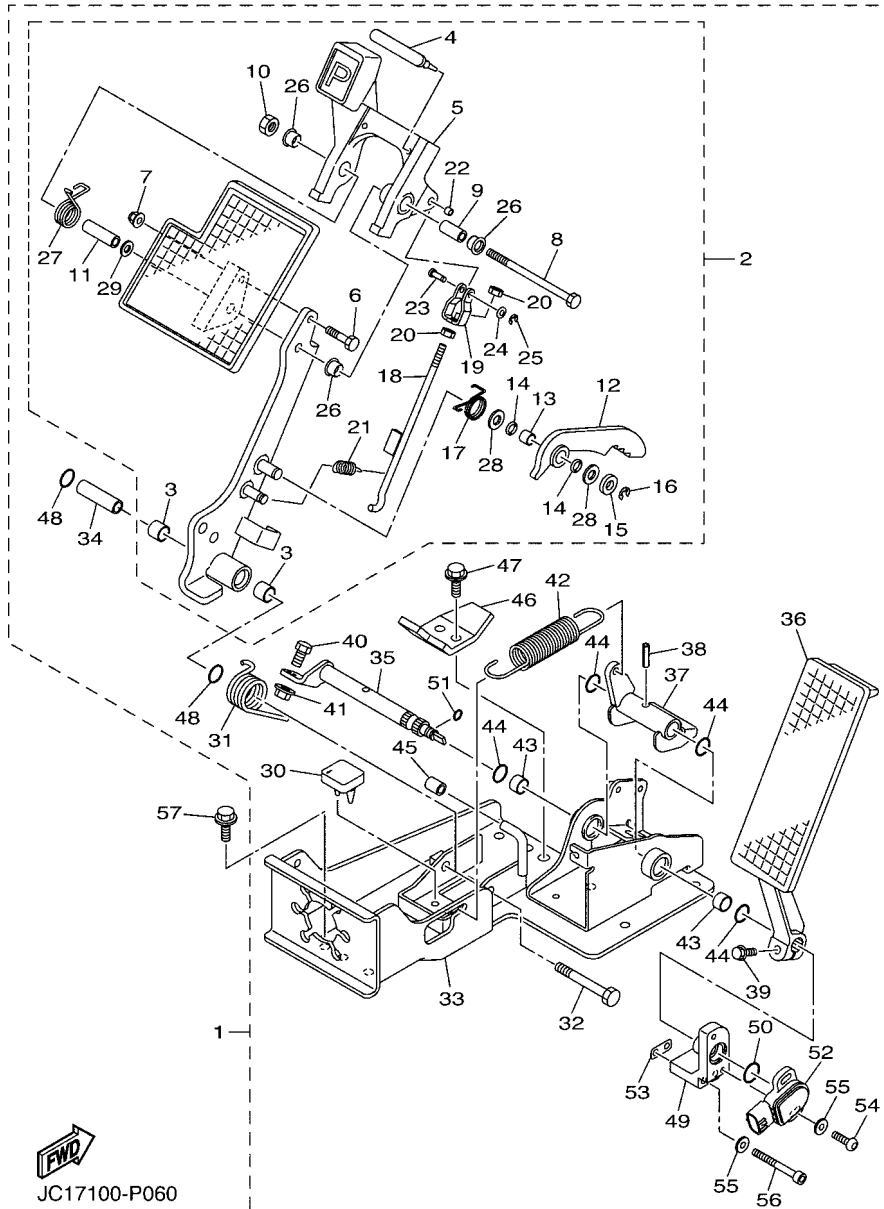
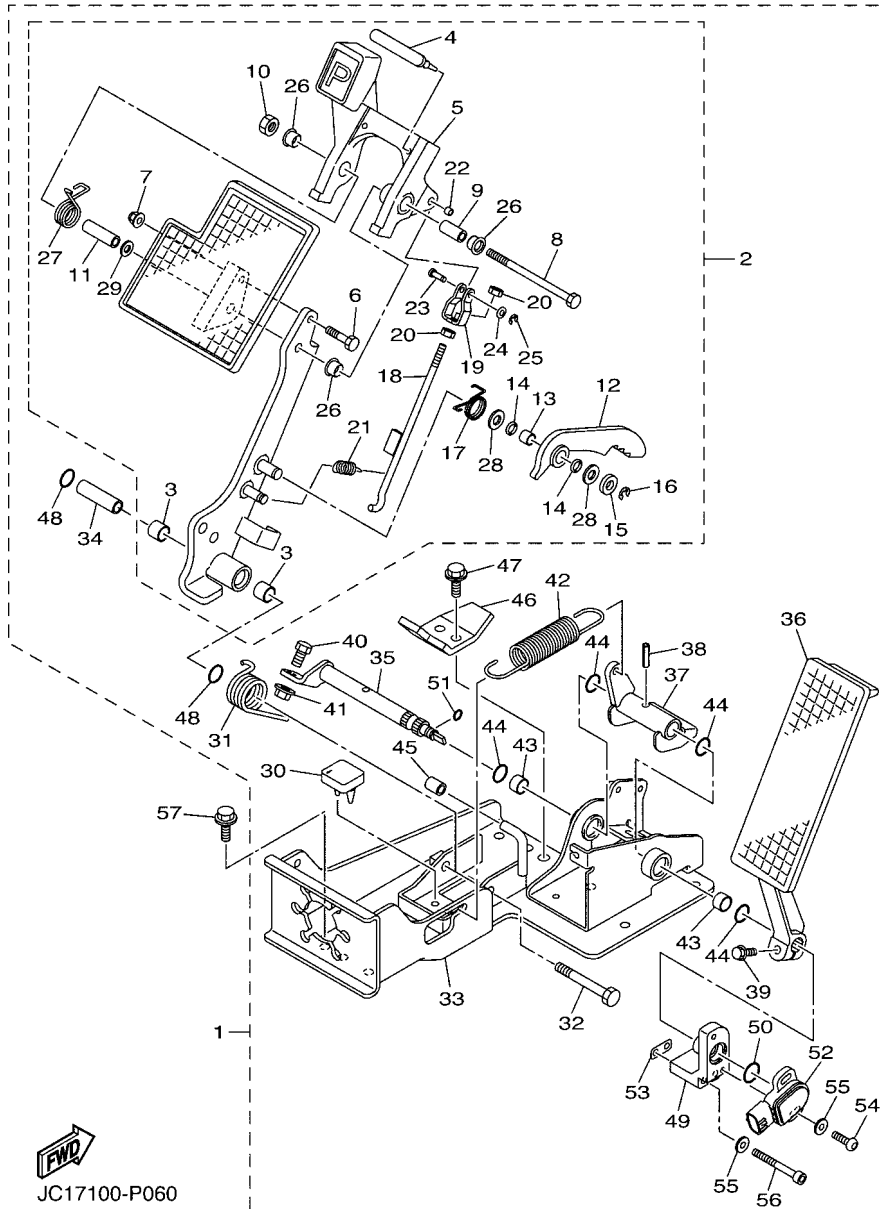


FIG. 6 PEDAL ASSEMBLY

REF. NO.	PART NO.	DESCRIPTION	QTY	REMARKS
1	JW9-F7850-31	PEDAL ASSY (L.H)	1	
2	JW9-F7200-21	.PEDAL, BRAKE	1	
3	JW8-F7814-21	.BUSH, PEDAL	2	
4	JW9-F5672-00	..PAD, PARKING PEDAL	1	
5	JW9-F5671-00	..PEDAL, PARKING BRAKE	1	
6	JW8-F7117-00	..BOLT, MAIN STAND	1	
7	JW8-F8363-00	..NUT	1	
8	JW8-F7416-00	..BOLT, FOOTREST	1	
9	JW8-F639N-00	..COLLAR	1	
10	JW8-F7218-00	..NUT	1	
11	JW8-F7113-00	..COLLAR, MAIN STAND	1	
12	JW9-F5666-00	..SECTOR, PARKING BRAKE	1	
13	JW8-F7121-00	..BUSH	1	
14	JW9-F7221-00	..SEAL, SHAFT	2	
15	JW8-F7322-00	..WASHER	1	
16	JW8-F3183-00	..CIRCLIP	1	
17	JW8-F7426-01	..SPRING, RETURN	1	
18	JW9-F7231-10	..ROD, BRAKE	1	
19	JW9-F7232-00	..END, ROD 2	1	
20	JW8-F7318-00	..NUT	2	
21	JW8-F6314-00	..SPRING	1	
22	JW8-F639L-00	..BUSH 1	1	
23	JW9-F7228-00	..PIN, JOINT	1	
24	JW8-F8323-00	..WASHER, LEG SHIELD	1	
25	JW8-F5415-00	..CIRCLIP	1	
26	90386-12800	..BUSH	3	
27	JW8-F7825-01	..SPRING, RETURN	1	



JC17100-P060

FIG. 6 PEDAL ASSEMBLY

REF. NO.	PART NO.	DESCRIPTION	JOU1				REMARKS
28	JW8-F7119-00	..WASHER	2				
29	JW8-F8319-00	..WASHER	1				
30	JW9-F7245-10	.PAD, BRAKE PEDAL	1				
31	JW8-F7316-01	.SPRING, SIDE STAND	1				
32	JW8-F7217-00	.BOLT	1				
33	JW9-F7445-31	.PLATE 1	1				
34	JW8-F7213-20	.COLLAR	1				
35	JW9-F7853-00	.SHAFT, PEDAL 1	1				
36	JW9-F7871-10	.PEDAL, ACCELERATOR	1				
37	JW9-F7872-20	.ARM, ACCELERATOR PEDAL	1				
38	JW8-F7438-00	.PIN, CLEVIS	1				
39	JW8-F7434-00	.BOLT	1				
40	JW8-F7317-00	.BOLT	1				
41	JW8-F7118-00	.NUT	1				
42	JW8-F815H-01	.SPRING	1				
43	JW8-F7814-21	.BUSH, PEDAL	2				
44	JW8-F4486-00	.O-RING	4				
45	JW9-F5673-00	.DAMPER, BRAKE	1				
46	JW9-F7246-20	.NAIL, BRAKE	1				
47	JW8-F8331-00	.BOLT, LEG SHIELD	2				
48	JW8-F4486-00	.O-RING	2				
49	JW9-F7263-00	.BRACKET 1	1				
50	JW9-F4648-20	.O-RING	1				
51	JW8-F41B8-00	.O-RING	1				
52	JW9-H5885-00	.THROTTLE SENSOR ASSY	1				
53	JW9-F5827-00	.SHIM, CALIPER	1				UR
	JW9-F5827-10	.SHIM, CALIPER	1				UR

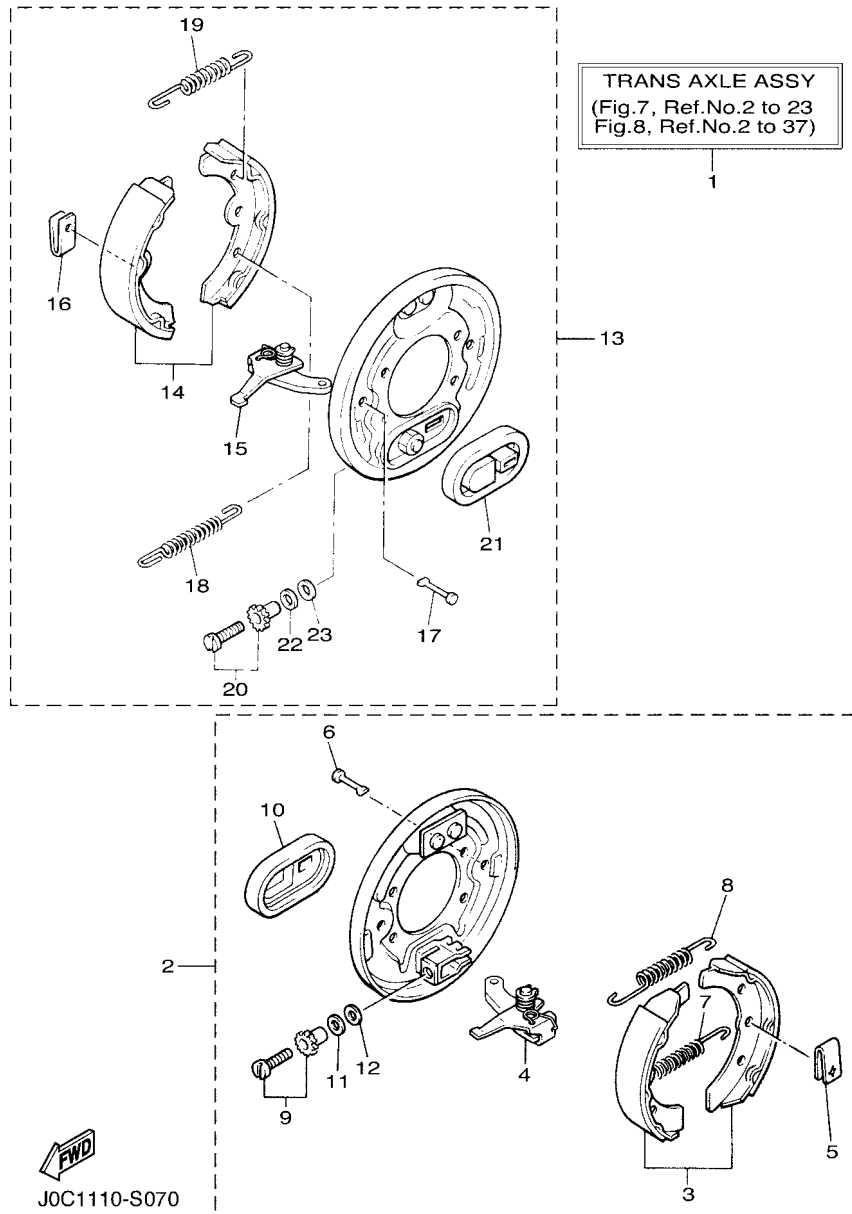
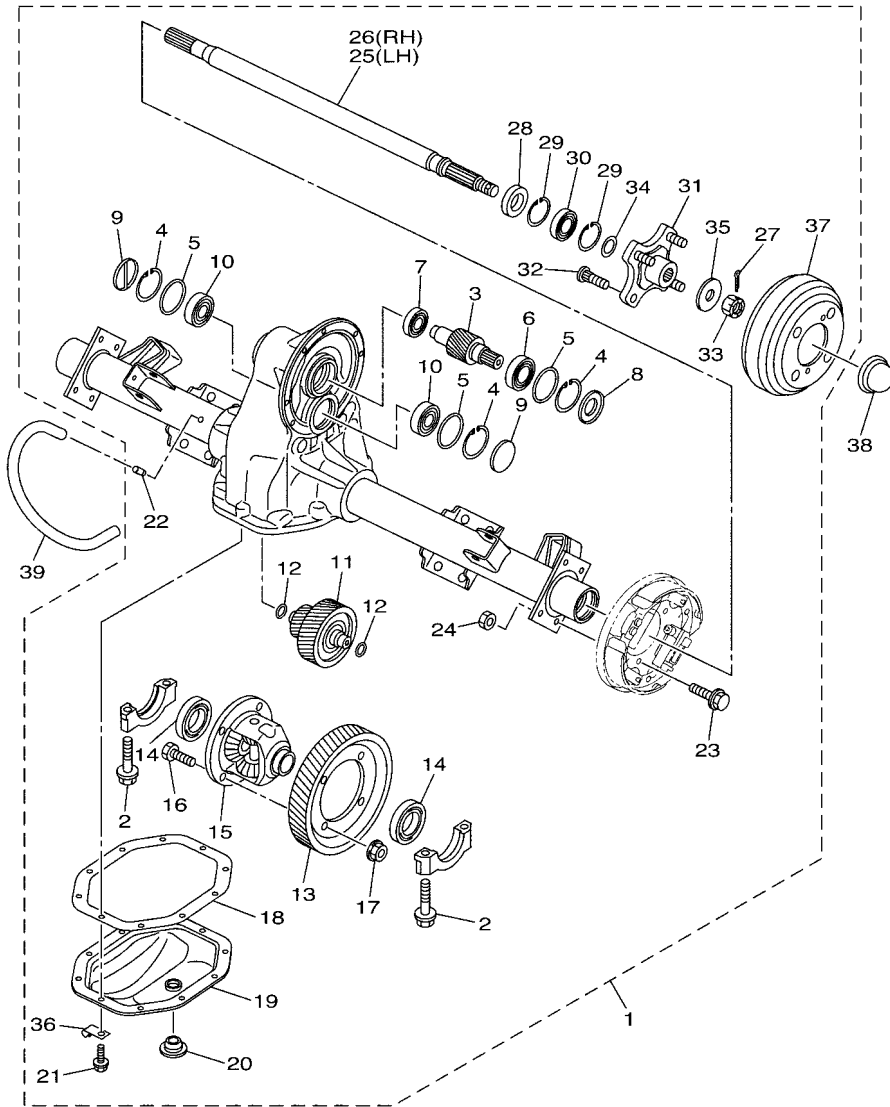


FIG. 7 BRAKE

REF. NO.	PART NO.	DESCRIPTION	JOU1				REMARKS
1	J0C-G6300-00	TRANS AXLE ASSY	1				
2	JW8-F7290-00	..BACKING PLATE ASSY 2	1				
3	JN9-W2536-00	..BRAKE SHOE SET	1				
4	J38-27205-00	..LEVER ASSY 2	1				
5	JW8-F7281-00	..SPRING, SHOE CLAMP	2				
6	J10-27282-00	..PIN, SHOE HOLD DOWN	2				
7	90506-20281	..SPRING, TENSION	1				
8	90506-14001	..SPRING, TENSION	1				
9	J55-27260-00	..ADJUSTER ASSY	1				
10	JW8-F7286-00	..COVER, DUST	1				
11	90201-121H9	..WASHER, PLATE	1				
12	90201-121H8	..WASHER, PLATE	1				
13	JW8-F7280-00	..BACKING PLATE ASSY 1	1				
14	JN9-W2536-00	..BRAKE SHOE SET	1				
15	J38-27204-00	..LEVER ASSY 1	1				
16	JW8-F7281-00	..SPRING, SHOE CLAMP	2				
17	J10-27282-00	..PIN, SHOE HOLD DOWN	2				
18	90506-20281	..SPRING, TENSION	1				
19	90506-14001	..SPRING, TENSION	1				
20	J55-27270-00	..ADJUSTER ASSY	1				
21	JW8-F7286-00	..COVER, DUST	1				
22	90201-121H9	..WASHER, PLATE	1				
23	90201-121H8	..WASHER, PLATE	1				

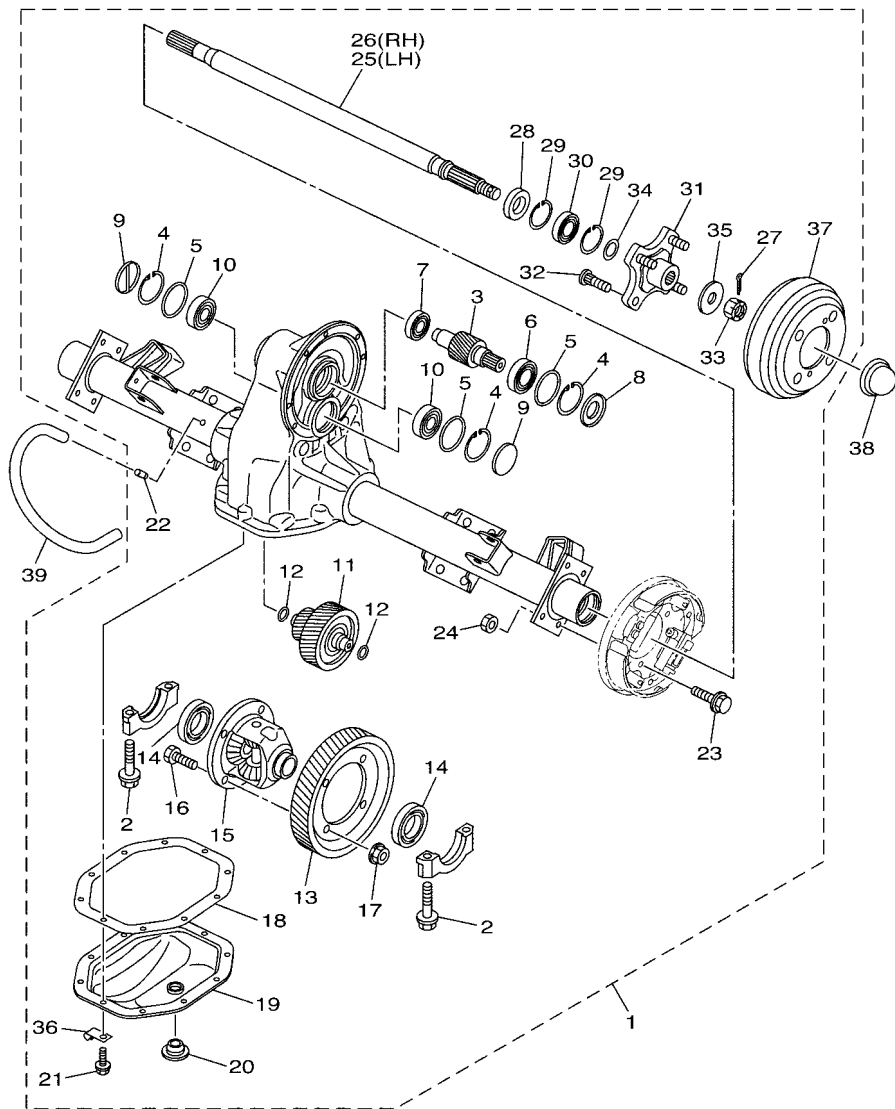


J0C1110-S080

FIG. 8 TRANSAXLE

REF. NO.	PART NO.	DESCRIPTION	J01				REMARKS
1	J0C-G6300-00	TRANS AXLE ASSY	1				
2	90105-10840	.BOLT, FLANGE	4				
3	JW9-G6321-00	.SHAFT, INPUT	1				
4	93420-50804	.CIRCLIP	3				
5	93210-478B8	.O-RING	3				
6	93306-005Y1	.BEARING	1				
7	93306-203X1	.BEARING	1				
8	JW9-G6136-00	.SEAL 1	1				
9	JH7-G3396-01	.PLUG, BLIND	2				
10	93306-303Y6	.BEARING	2				
11	JW9-G6350-00	.COUNTER GEAR ASSY	1				
12	93210-148B9	.O-RING	2				
13	JW9-G6421-00	.GEAR, RING	1				
14	93306-007Y0	.BEARING	2				
15	JW9-G6410-00	.DIFFERENTIAL ASSY.	1				
16	90101-10854	.BOLT	4				
17	90170-10840	.NUT	4				
18	JW9-G631A-00	.GSKT., CASE	1				
19	JW9-G6312-00	.CASE, TRANSMISSION 2	1				
20	JN3-G6432-00	.STOPPER	1				
21	90101-08856	.BOLT	10				
22	JW8-G5378-00	.NIPPLE, HOSE	1				
23	90101-08855	.BOLT	8				
24	90170-08841	.NUT	8				
25	JR1-G6511-00	.SHAFT, REAR AXLE 1 (L.H)	1				
26	JR1-G6512-00	.SHAFT, REAR AXLE 2 (R.H)	1				
27	91490-30030	.PIN. COTTER	2				

FIG. 8 TRANSAXLE

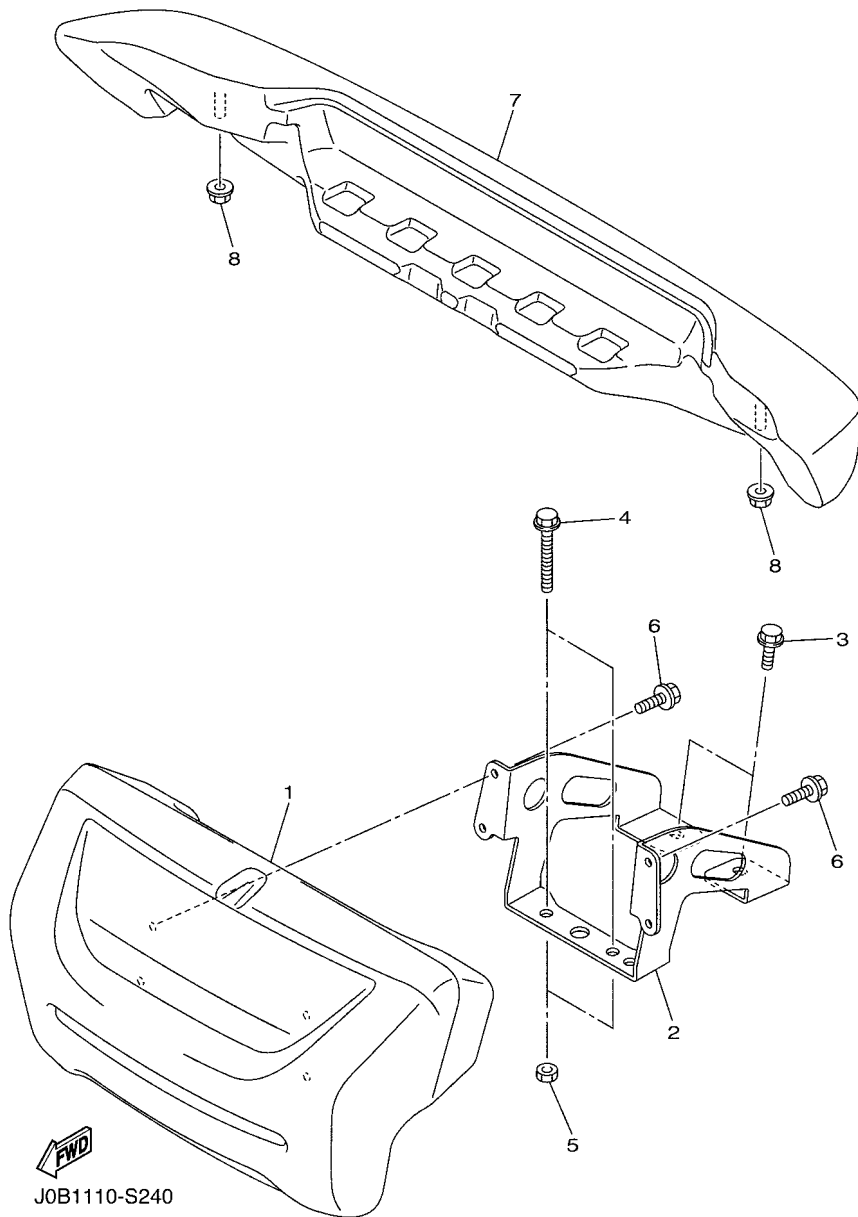


REF. NO.	PART NO.	DESCRIPTION	JOU1	REMARKS
28	93101-24822	.OIL SEAL	2	
29	93420-44805	.CIRCLIP	4	
30	93306-00440	.BEARING	2	
31	JW8-G6514-00	.HUB, REAR AXLE	2	
32	JW8-G4178-00	.BOLT, STUD	8	
33	JW8-G5244-00	.NUT	2	
34	JW8-G2535-00	.WASHER, THRUST	2	
35	JW8-G2536-00	.WASHER, THRUST 2	2	
36	JW8-G2756-00	.STAY, CLAMP	1	
37	JW8-G6521-00	.DRUM	2	
38	JW8-F5118-00	COVER, HUB DUST	2	
39	JW8-G2541-00	PIPE 1	1	



J0C1110-S080

FIG. 10 BUMPER



REF. NO.	PART NO.	DESCRIPTION	JOB1	REMARKS
1	J0B-K7510-00	FRONT BUMPER COMP.	1	
2	J0B-K8164-00	STAY, FRONT BUMPER (L.H)	1	
3	95812-08016	BOLT, FLANGE	2	
4	95812-08050	BOLT, FLANGE	2	
5	95302-08700	NUT, HEXAGON	2	
6	95822-06012	BOLT, FLANGE	4	
7	JW8-K7540-00	REAR BUMPER COMP.	1	
8	95602-10200	NUT, S/L FLANGE	2	

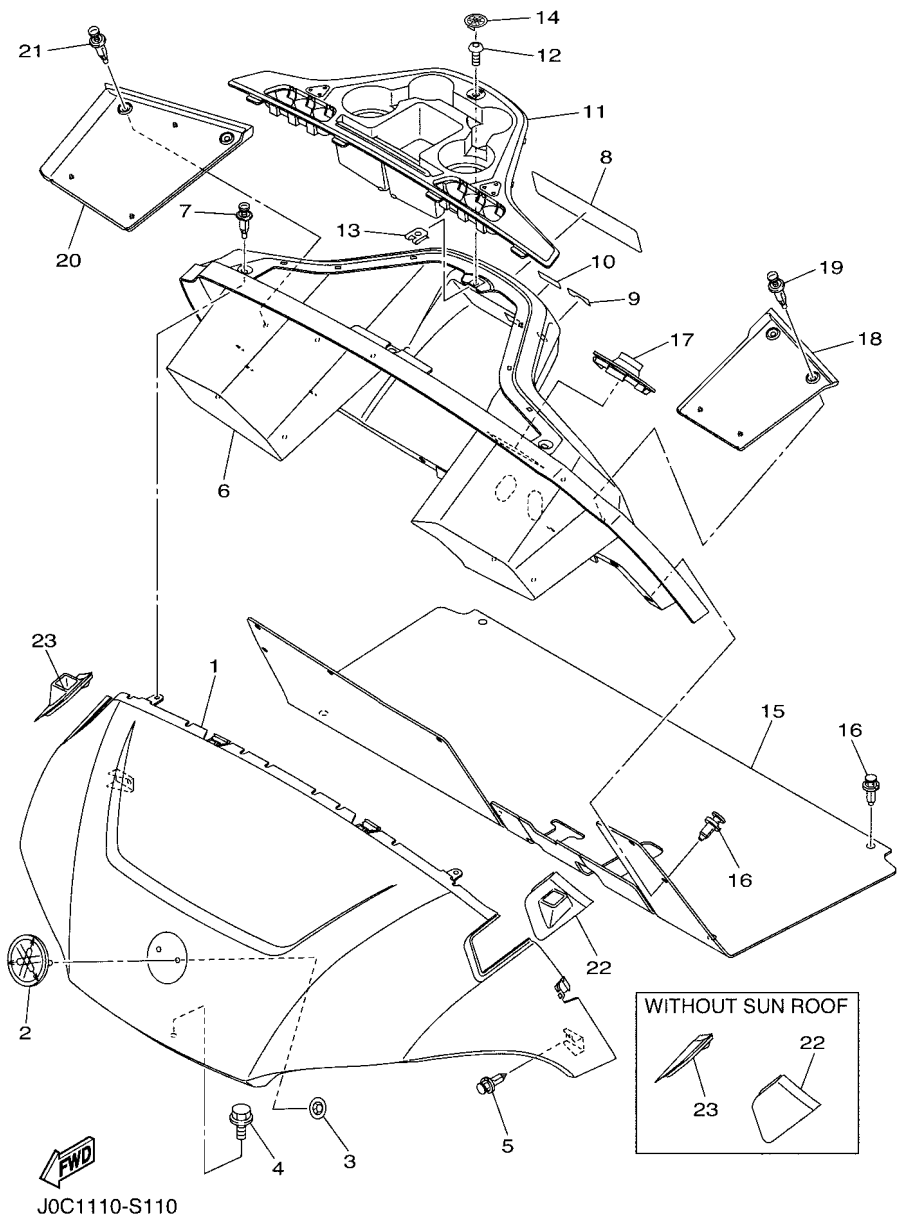


FIG. 11 BODY

REF. NO.	PART NO.	DESCRIPTION	J0J1		REMARKS
1	J0B-K8115-A0	COWL, FRONT	1		UR FOR BW1
	J0B-K8115-10	COWL, FRONT	1		UR FOR VDGS1
	J0B-K8115-00	COWL, FRONT	1		UR FOR DNBME
	J0B-K8115-20	COWL, FRONT	1		UR FOR LNYM8
	J0B-K8115-30	COWL, FRONT	1		UR FOR LNMP
	J0B-K8115-40	COWL, FRONT	1		UR FOR DYNM2
	J0B-K8115-B0	COWL, FRONT	1		UR FOR NYS4
	J0B-K8115-50	COWL, FRONT	1		UR FOR HTR
	J0B-K8115-60	COWL, FRONT	1		UR FOR DNMC
2	J0B-F4161-00	EMBLEM 1	1		
3	JU0-K7573-00	NUT, SPECIAL	2		
4	90105-06831	BOLT, FLANGE	1		
5	90269-06804	RIVET	2		
6	J0B-K8114-00	PANEL, FRONT	1		UR FOR CAN
	J0C-K8114-00	PANEL, FRONT	1		UR EXCEPT FOR CAN
7	90269-07803	RIVET	3		
8	J0B-K7768-00	LABEL, WARNING 8	1		FOR ENGLISH
	J0B-K7768-10	LABEL, WARNING 8	1		FOR ENGLISH/FRENCH
	J0B-K7768-20	LABEL, WARNING 8	1		FOR GERMAN/SPANISH
9	J0B-K8282-00	PLATE, SWITCH PANEL	1		
10	J0C-K7741-00	INDICATOR 1	1		
11	J0B-K835E-00	HOLDER, BEVERAGE	1		
12	90111-05805	BOLT, HEX. SOCKET BUTTON	1		
13	90183-05008	NUT, SPRING	1		
14	J0B-H2370-00	PLUG CAP ASSY	1		
15	J0B-K8233-00	MAT, MAIN FLOOR 3	1		
16	90269-09003	RIVET	12		

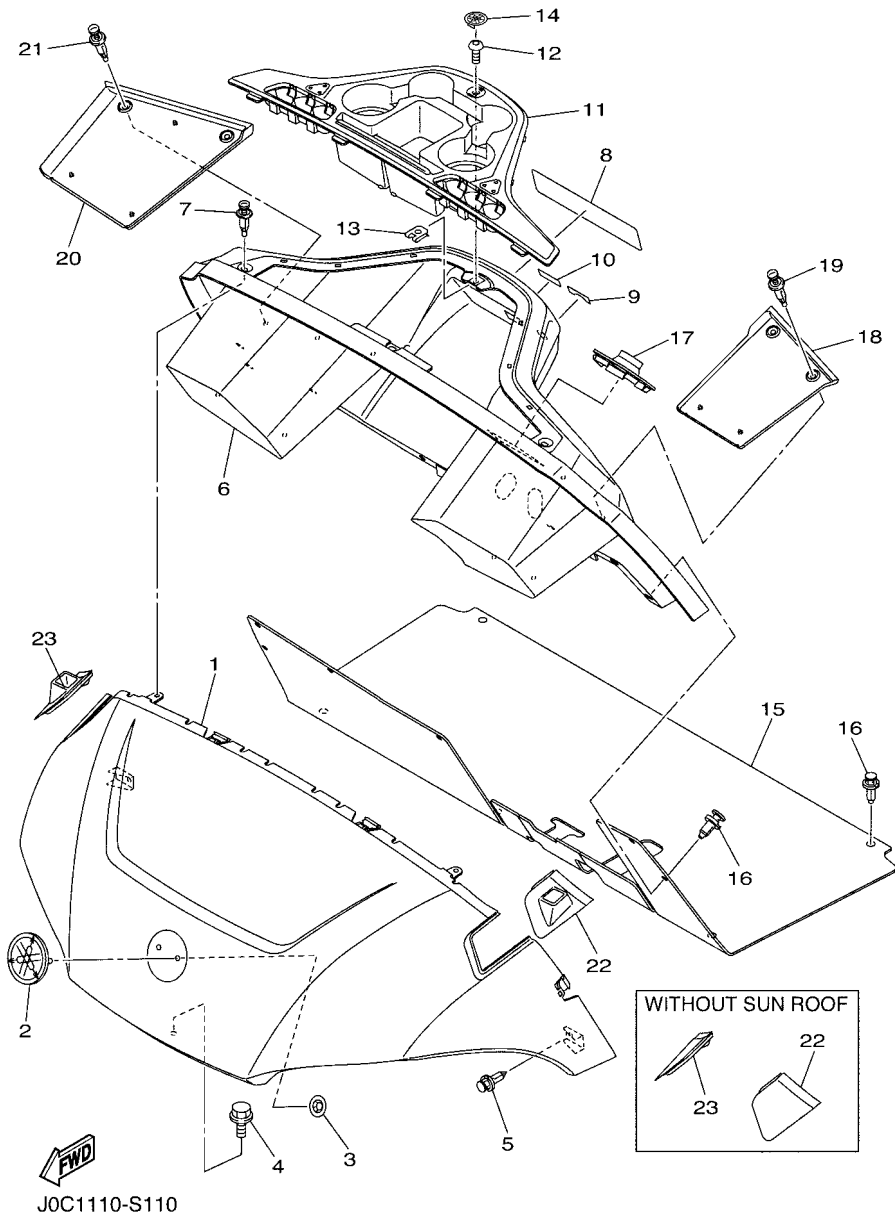
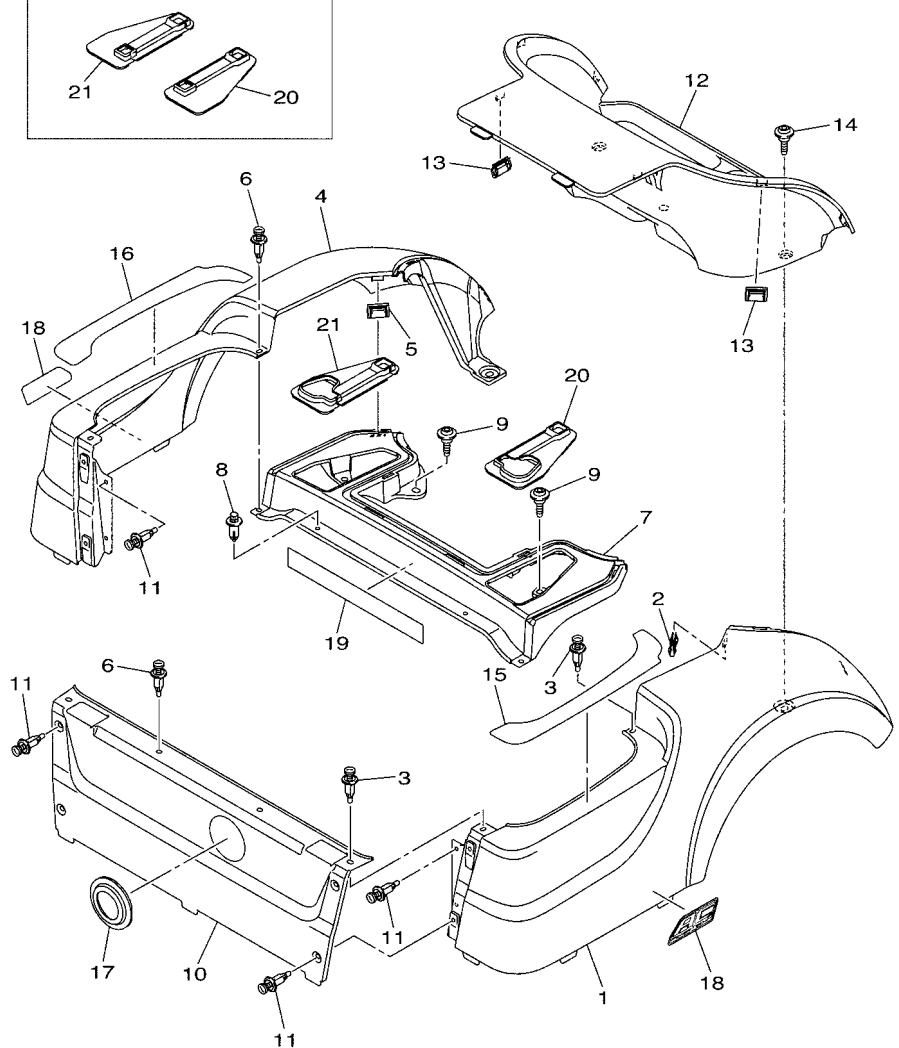


FIG. 11 BODY

REF. NO.	PART NO.	DESCRIPTION	J0C1		REMARKS
17	J0B-K8273-00	COVER, HOLE	1		
18	J0B-K8243-00	MAT, REAR BODY SIDE (LH)	1		
19	90269-07803	RIVET	2		
20	J0B-K8244-00	MAT, REAR BODY SIDE (RH)	1		
21	90269-07803	RIVET	2		
22	J0B-K832F-10	GROMMET, ROOF SUPPORT 1	1		WITH SUN ROOF
	J0B-K832F-00	GROMMET, ROOF SUPPORT 1	1		WITHOUT SUN ROOF
23	J0B-K832G-10	GROMMET, ROOF SUPPORT 2	1		WITH SUN ROOF
	J0B-K832G-00	GROMMET, ROOF SUPPORT 2	1		WITHOUT SUN ROOF

WITHOUT SUN ROOF

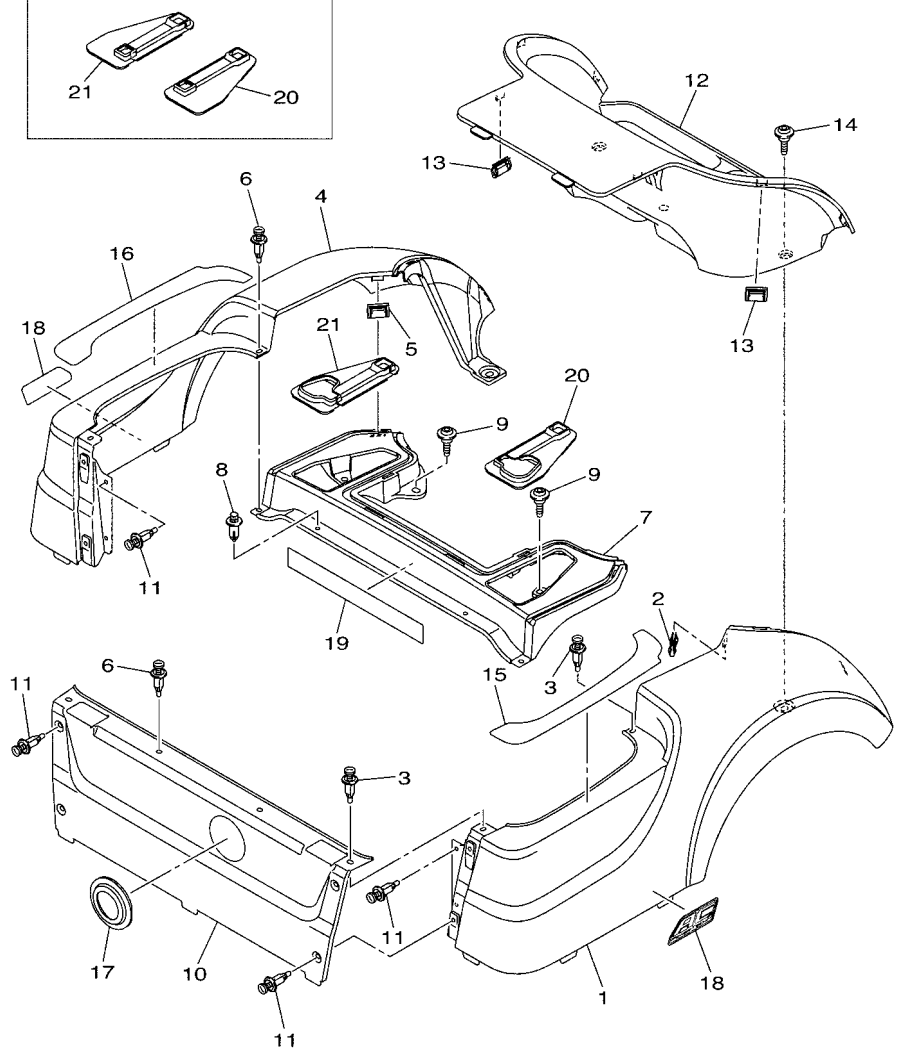


J0J1100-S120

FIG. 12 BODY 2

REF. NO.	PART NO.	DESCRIPTION	J0J1	REMARKS
1	J0B-K8111-A0	PANEL, BODY SHELL	1	UR FOR BW1
	J0B-K8111-10	PANEL, BODY SHELL	1	UR FOR VDGS1
	J0B-K8111-00	PANEL, BODY SHELL	1	UR FOR DNBME
	J0B-K8111-20	PANEL, BODY SHELL	1	UR FOR LNYM8
	J0B-K8111-30	PANEL, BODY SHELL	1	UR FOR LNMP
	J0B-K8111-40	PANEL, BODY SHELL	1	UR FOR DYNM2
	J0B-K8111-B0	PANEL, BODY SHELL	1	UR FOR NYS4
	J0B-K8111-50	PANEL, BODY SHELL	1	UR FOR HTR
	J0B-K8111-60	PANEL, BODY SHELL	1	UR FOR DNMC
2	J0B-F3447-00	CLIP	1	
3	90269-07803	RIVET	3	
4	J0B-K8112-A0	PANEL, BODY SHELL	1	UR FOR BW1
	J0B-K8112-10	PANEL, BODY SHELL	1	UR FOR VDGS1
	J0B-K8112-00	PANEL, BODY SHELL	1	UR FOR DNBME
	J0B-K8112-20	PANEL, BODY SHELL	1	UR FOR LNYM8
	J0B-K8112-30	PANEL, BODY SHELL	1	UR FOR LNMP
	J0B-K8112-40	PANEL, BODY SHELL	1	UR FOR DYNM2
	J0B-K8112-B0	PANEL, BODY SHELL	1	UR FOR NYS4
	J0B-K8112-50	PANEL, BODY SHELL	1	UR FOR HTR
	J0B-K8112-60	PANEL, BODY SHELL	1	UR FOR DNMC
5	J0B-F3447-00	CLIP	1	
6	90269-07803	RIVET	3	
7	J0B-K819H-00	SHELL, REAR BODY	1	
8	JW7-K7329-00	RIVET	2	
9	J0B-F1738-00	BOLT	4	
10	J0C-K8141-A0	PANEL, INTERMEDIATE BODY	1	UR FOR BW1
	J0C-K8141-10	PANEL, INTERMEDIATE BODY	1	UR FOR VDGS1

WITHOUT SUN ROOF

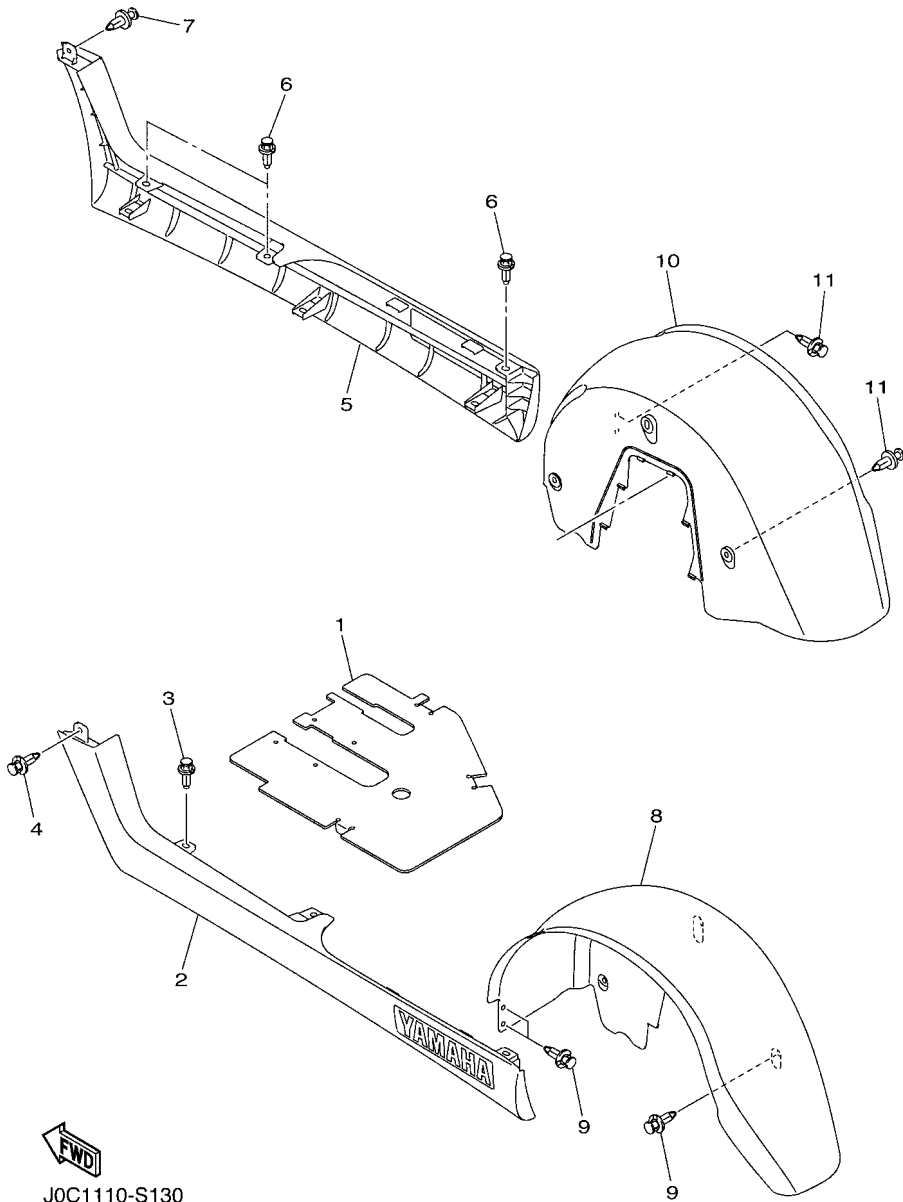


J0J1100-S120

FIG. 12 BODY 2

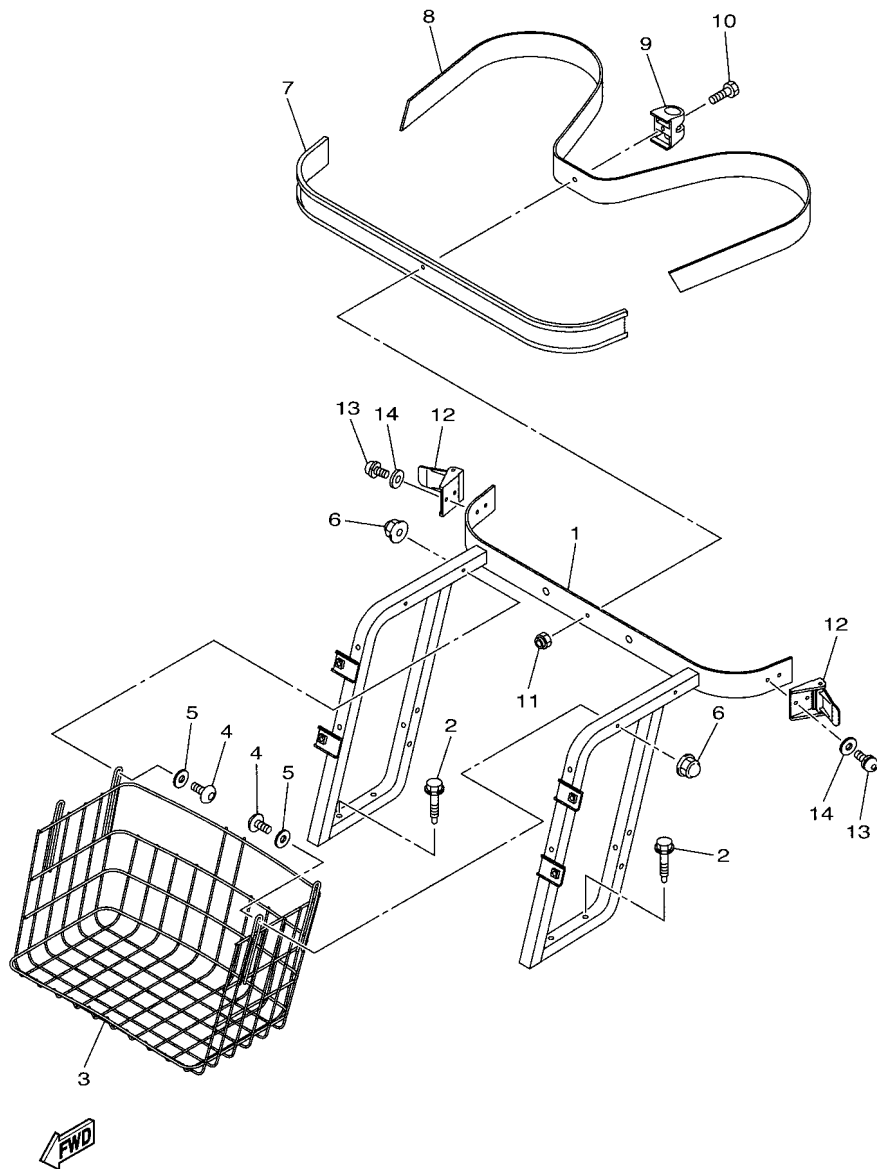
REF. NO.	PART NO.	DESCRIPTION	J0J1	REMARKS
10	J0B-K8141-00	PANEL, INTERMEDIATE BODY	1	UR FOR DNBME
	J0C-K8141-20	PANEL, INTERMEDIATE BODY	1	UR FOR LNYM8
	J0C-K8141-30	PANEL, INTERMEDIATE BODY	1	UR FOR LNMP
	J0C-K8141-40	PANEL, INTERMEDIATE BODY	1	UR FOR DYNM2
	J0C-K8141-B0	PANEL, INTERMEDIATE BODY	1	UR FOR NYS4
	J0C-K8141-50	PANEL, INTERMEDIATE BODY	1	UR FOR HTR
	J0C-K8141-60	PANEL, INTERMEDIATE BODY	1	UR FOR DNMC
11	90269-07803	RIVET	8	
12	J0B-K8237-01	COVER, REAR FLOOR	1	
13	J0B-F3447-00	CLIP	4	
14	J0B-F1738-00	BOLT	2	
15	J0B-F2873-01	SEAL 1	1	
16	J0B-F2874-01	SEAL 2	1	
17	J0C-K827A-00	GUIDE 1	1	
18	J0J-F1781-00	EMBLEM 1	2	
19	JW9-K8297-01	PLATE, CAUTION 1	1	UR FOR CAN
	JW9-K8297-11	PLATE, CAUTION 1	1	UR EXCEPT FOR CAN
20	J0B-K817H-10	TRIM, SIDE PANEL 1	1	WITH SUN ROOF
	J0B-K817H-00	TRIM, SIDE PANEL 1	1	WITHOUT SUN ROOF
21	J0B-K817J-10	TRIM, SIDE PANEL 2	1	WITH SUN ROOF
	J0B-K817J-00	TRIM, SIDE PANEL 2	1	WITHOUT SUN ROOF

FIG. 13 BODY FITTING



REF. NO.	PART NO.	DESCRIPTION	J0J1	REMARKS
1	J0B-K8271-00	SERVICE LID, PEDAL	1	
2	J0B-K818A-00	PROTECTOR, SIDE PLATE	1	
3	90269-09003	RIVET	3	
4	90269-06804	RIVET	1	
5	J0B-K818B-00	PROTECTOR, SIDE PLATE 2	1	
6	90269-09003	RIVET	3	
7	90269-06804	RIVET	1	
8	J0B-K8191-00	PANEL, REAR FENDER 1	1	
9	90269-06804	RIVET	5	
10	J0B-K8192-00	PANEL, REAR FENDER 2	1	
11	90269-06804	RIVET	5	

FIG. 14 CARRIER



J0B1110-S280

REF. NO.	PART NO.	DESCRIPTION	JOB	REMARKS
1	J0B-K8423-00	SUPPORT, SEAT BACK	1	
2	90109-08002	BOLT	4	
3	JW1-K8340-00	LUGGAGE RACK ASSY., REAR	1	
4	92017-06040	BOLT, BUTTON HEAD	4	
5	J0B-K7389-00	WASHER	4	
6	90176-06008	NUT, CROWN	4	
7	JF2-K8356-00	PAD, BAG SUPPORT	1	
8	JN6-K8355-20	BAND	1	
9	JW1-K834G-00	HOLDER, RAKE SAND	1	
10	9708R-06020	BOLT	1	
11	90185-06836	NUT, SELF-LOCKING	1	
12	JN6-K8380-00	LOCK ASSY	2	
13	90159-06845	SCREW, WITH WASHER	4	
14	9299R-06200	WASHER	4	

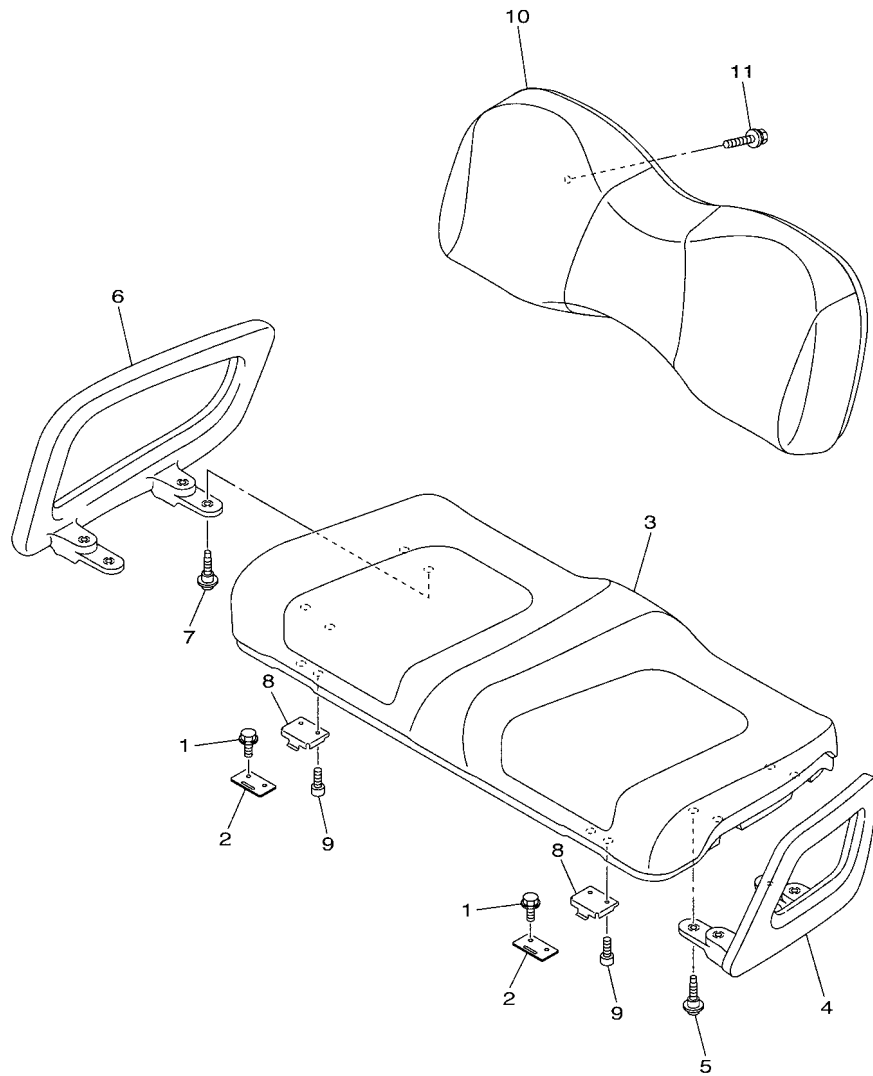


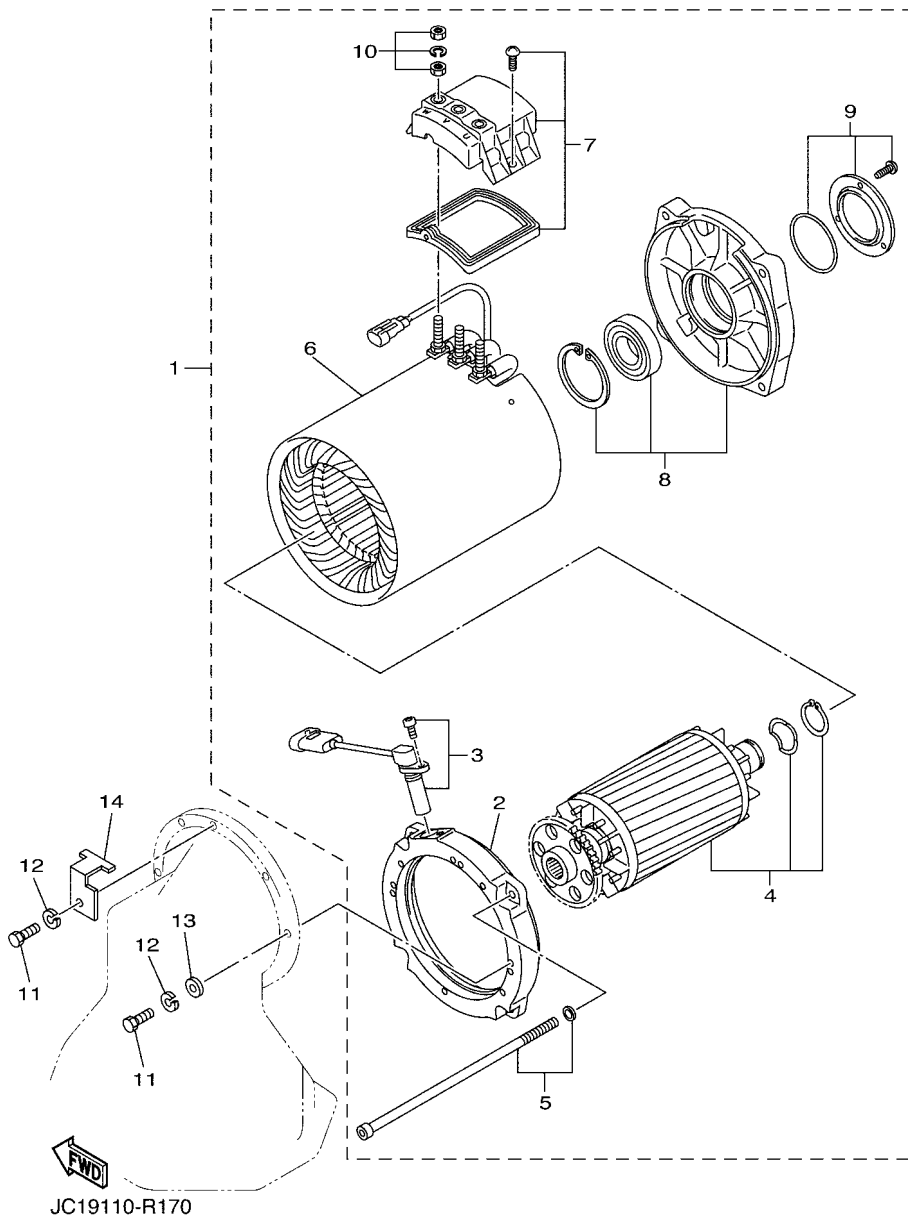
FIG. 15 SEAT

REF. NO.	PART NO.	DESCRIPTION	JOB1				REMARKS
1	JW9-H1674-00	BOLT	4				
2	JW1-K8427-00	HINGE, SEAT 2	2				
3	J0A-K8401-00	SEAT SUB-ASSY,CUSHION	1				
4	J0B-K8361-00	ARM REST 1	1				
5	J0B-F1738-00	BOLT	4				
6	J0B-K8362-00	ARM REST 2	1				
7	J0B-F1738-00	BOLT	4				
8	J0B-K8426-01	HINGE, SEAT 1	2				
9	90110-06125	BOLT, HEXAGON SOCKET HEAD	4				
10	JW1-K8402-10	SEAT SUB ASSY, BACK	1				
11	90119-06808	BOLT, WITH WASHER	4				



J0B1110-S290

FIG. 16 ELECTRIC MOTOR



REF. NO.	PART NO.	DESCRIPTION	JOU1				REMARKS
1	JW3-H1890-00	MOTOR ASSY	1				
2	JW3-H183J-00	.BRACKET, FRONT	1				
3	JW3-H3756-00	.SENSOR, UNIT	1				
4	JW3-H1155-00	.ARMATURE	1				
5	JW3-H2379-00	.SCREW, UNIT	1				
6	JW3-H1117-00	.STATOR	1				
7	JW3-H165G-00	.PLTE, TERMINAL	1				
8	JW3-H182J-00	.BRACKET COMPLETE	1				
9	JW3-H1869-00	.COVER, DUST	1				
10	JW3-H182V-00	.NUT & WASHER KIT	1				
11	90101-069U0	BOLT	3				
12	90215-06811	WASHER, LOCK	3				
13	90201-068E2	WASHER, PLATE	2				
14	JU2-H218E-01	RELIEF, STRAIN 1	1				

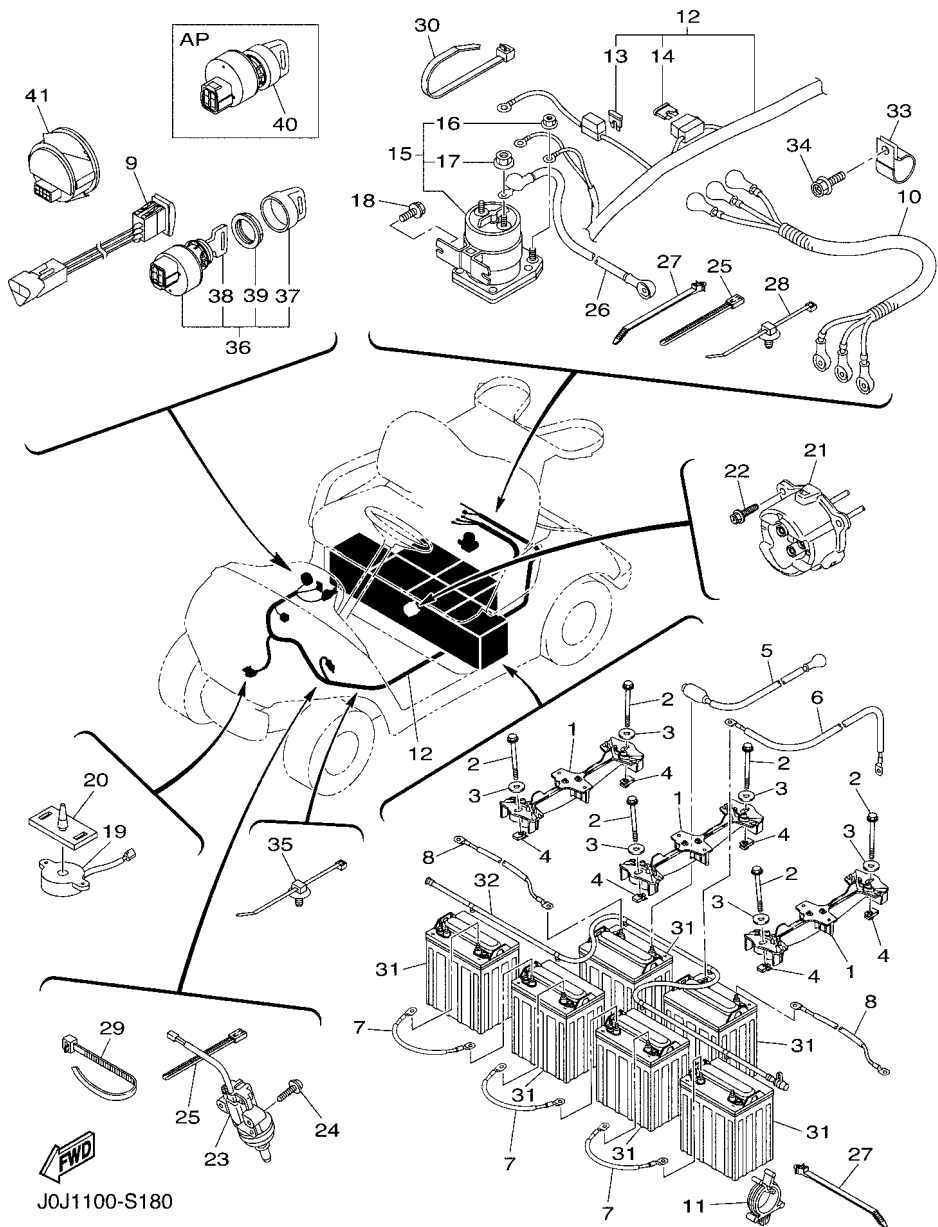
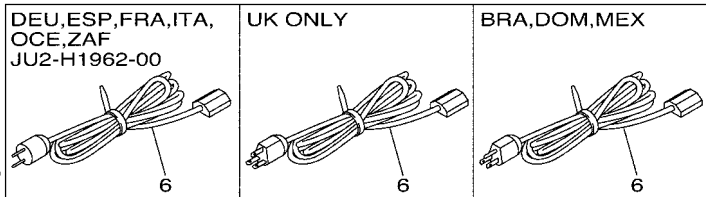
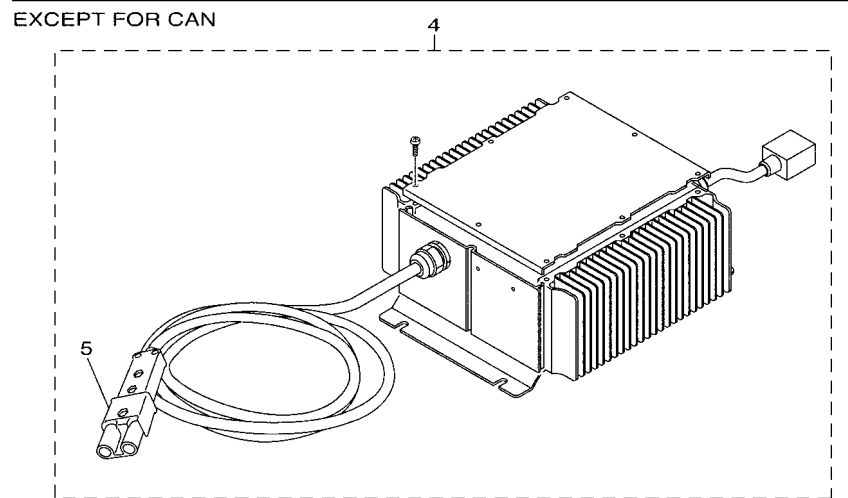
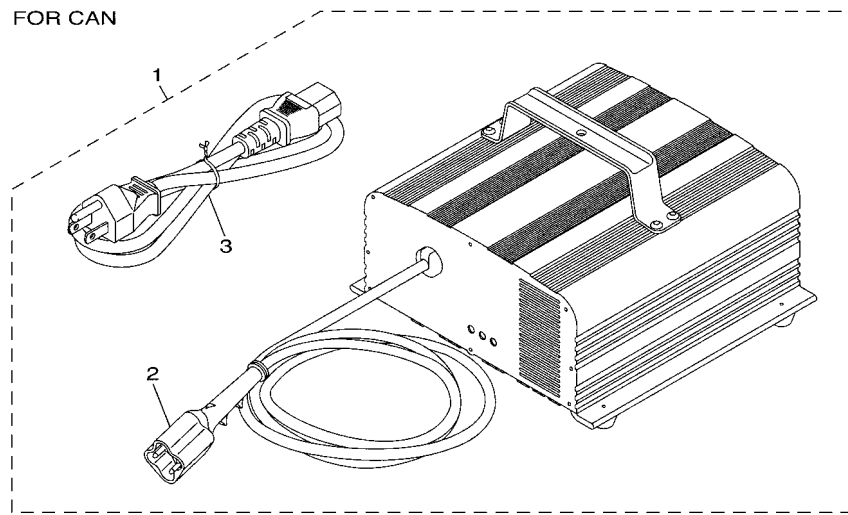


FIG. 18 ELECTRICAL 1

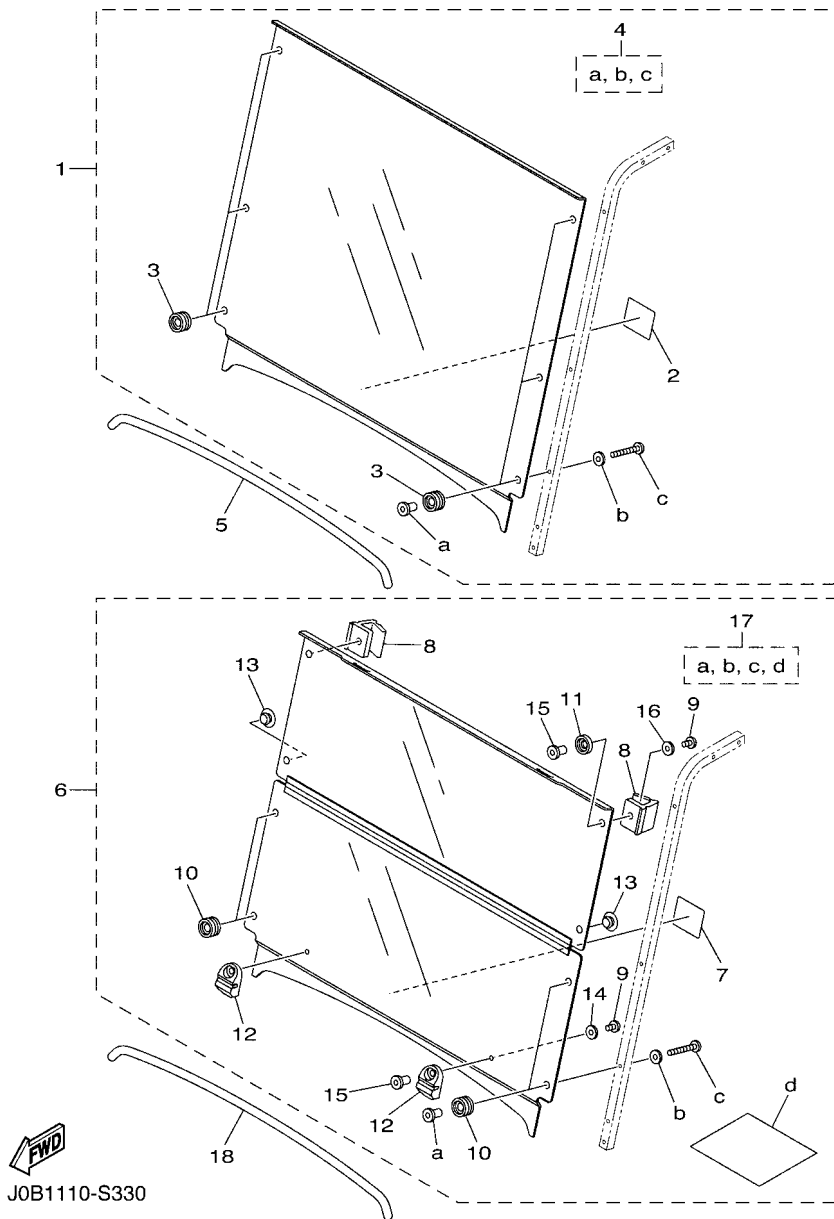
REF. NO.	PART NO.	DESCRIPTION	J0J1			REMARKS
28	5B4-F1338-00	CLAMP	1			
29	90464-48800	CLAMP	1			
30	90464-76800	CLAMP	1			
31	*	BATTERY ASSY (8V, GC8)	6			LM
32	JW9-H210G-00	BATTERY WATERING SYSTEM ASSY.	1			
<hr/>						
33	90461-14108	CLAMP	1			
34	90105-08867	BOLT, FLANGE	1			
35	1NS-F1338-00	CLAMP	1			
36	JW1-H2510-00	MAIN SWITCH ASSY	1			STD
37	5UG-H2579-00	.CAP, KEY	1			
<hr/>						
38	JU2-H2511-00	.KEY, MAIN SWITCH	2			
39	JU6-H2569-00	.NUT, MAIN SWITCH	1			
40	JU2-H2510-20	MAIN SWITCH ASSY	1			AP RANDOMKEY
41	JC1-H351B-01	GAUGE, BATTERY	1			EXCEPT FOR CAN
<hr/>						
<hr/>						
<hr/>						

FIG. 19 BATTERY CHARGER

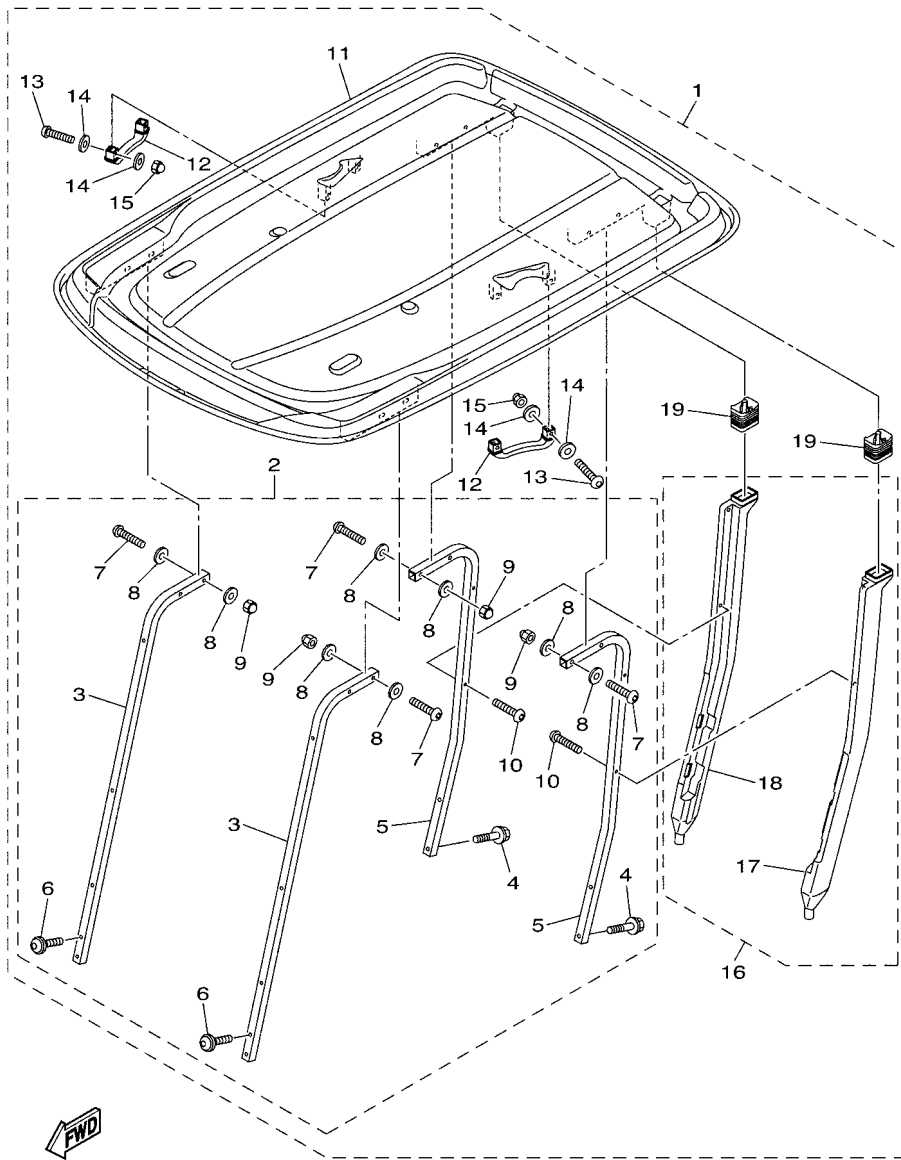


REF. NO.	PART NO.	DESCRIPTION	JUJ1		REMARKS
1	JW9-82107-03	CHARGER, BATTERY	1		FOR CAN
2	JW9-82174-00	.DC CORD ASSY	1		FOR CAN
3	JW9-81962-00	.AC CORD COMP.	1		FOR CAN
4	JW2-H2107-13	CHARGER, BATTERY	1		EXCEPT FOR CAN
5	JR1-H235A-00	.DC PLUG SET	1		EXCEPT FOR CAN
6	JU2-H1962-00	CORD COMP. (220V)	1		UR
	JU2-H1962-10	CORD COMP. (240V)	1		UR UK
	JU2-H1962-20	CORD COMP. (100V)	1		UR BRA,DOM,MEX

FIG. 20 ALTERNATE FOR WINDSHIELD



REF. NO.	PART NO.	DESCRIPTION	JOB1				REMARKS
1	J0B-K7200-00	WINDSHIELD ASSY	1				UR CLEAR
	J0B-K7200-10	WINDSHIELD ASSY	1				UR SMOKE
2	J0B-K7458-00	.LABEL, WARNING	1				
3	J0B-K7237-00	.GROMMET	6				
4	J0B-K7240-00	.WIND SHIELD HARDWARE KIT 1	1				
5	J0B-K7213-00	TRIM, UPPER	1				
6	J0B-K7200-20	WINDSHIELD ASSY	1				UR CLEAR
	J0B-K7200-30	WINDSHIELD ASSY	1				UR SMOKE
7	J0B-K7458-00	.LABEL, WARNING	1				
8	J0B-K7173-20	.LEVER, LATCH 1	2				
9	J0B-K7258-00	.SCREW, 2	4				
10	J0B-K7237-00	.GROMMET	2				
11	J0B-K7247-00	.GROMMET, W/S 2	2				
12	J0B-K7257-00	.GROMMET, W/S 3	2				
13	J0B-K7238-00	.DAMPER	2				
14	J0B-K7218-00	.WASHER 1	2				
15	J0B-K7217-00	.NUT, WIND SHIELD	4				
16	J0B-K7219-00	.WASHER 2	2				
17	J0B-K7240-20	.WIND SHIELD HARDWARE KIT 1	1				
18	J0B-K7213-00	TRIM, UPPER	1				



J0B1110-S340

FIG. 21 ALTERNATE FOR SUN ROOF

REF. NO.	PART NO.	DESCRIPTION	J0J1	REMARKS
1	J0B-K84A0-00	SUN TOP KIT	1	UR AP TAN
	J0B-K84A0-10	SUN TOP KIT	1	UR AP BLACK
2	J0B-K84A2-00	.HARDWARE KIT, SUN TOP	1	
3	J0B-K8312-00	..SUPPORT, SUN ROOF 1	2	
4	JW1-K8388-00	..BOLT, ROOF 1	4	
5	JW1-K8313-01	..SUPPORT, SUN ROOF 2	2	
6	J0B-K8388-00	..BOLT, ROOF 1	4	
7	JU0-K8388-00	..BOLT, ROOF 1	8	
8	JW1-F1549-01	..WASHER, FENDER MOLD	16	
9	JU0-K8398-00	..NUT, ROOF 1	8	
10	JW1-K7387-00	..SCREW	4	
11	JW1-K8314-10	..COVER, SUN ROOF	1	UR TAN
	JW1-K8314-20	..COVER, SUN ROOF	1	UR BLACK
12	JW1-K8214-00	..GRIP, HAND	2	
13	JU0-K8388-00	..BOLT, ROOF 1	4	
14	JW1-F1549-01	..WASHER, FENDER MOLD	8	
15	JU0-K8398-00	..NUT, ROOF 1	4	
16	J0B-F417A-00	..DRAIN TUBE ASSY	1	
17	J0B-F413G-00	..TUBE, DRAIN	1	
18	J0B-F413J-00	..TUBE, DRAIN 2	1	
19	JW1-F414G-10	SEAL	2	

NUMERICAL INDEX

PART NO.	REF. NO.	PART NO.	REF. NO.	PART NO.	REF. NO.	PART NO.	REF. NO.	PART NO.	REF. NO.	PART NO.	REF. NO.
401-22128-01	3 - 16	JW1-F3394-00	18 - 22	JW8-F5681-10	5 - 5	JW9-F7872-20	6 - 37	JW9-H2136-00	18 - 1	JU0-K7573-00	11 - 3
2NL-23448-00	3 - 9	JW1-F3400-00	4 - 10	JN6-F5685-01	5 - 6	JW8-F815H-01	6 - 42	JC1-H2149-00	18 - 8	JOC-K7741-00	11 - 10
2NL-23517-00	3 - 11	JOB-F3447-00	12 - 2	JN6-F5685-01	6 - 53	JW8-F8319-00	6 - 29	JOC-H2151-00	18 - 13	JW8-K7762-00	4 - 38
2HR-23526-00	3 - 3		12 - 5	JW9-F5827-10	6 - 53	JW8-F8323-00	6 - 24	JR1-H2151-00	18 - 14	JW8-K7762-11	4 - 38
JW8-23841-01	4 - 27		12 - 13	JW8-F6314-00	6 - 21	JW8-F8331-00	6 - 47	JU2-H218E-01	16 - 14	JW8-K7762-21	4 - 38
J38-27204-00	7 - 15	5UG-F3489-00	4 - 20	JW9-F632G-00	6 - 54	JW8-F8363-00	6 - 7	JR1-H235A-00	19 - 5	JOB-K7768-00	11 - 8
J38-27205-00	7 - 4	JU0-F3511-20	3 - 4	JW9-F6351-10	5 - 1	JW8-G2535-00	8 - 34	JOB-H2370-00	11 - 14	JOB-K7768-10	11 - 8
J55-27260-00	7 - 9	JW1-F3512-00	3 - 5	JW8-F639L-00	6 - 22	JW8-G2536-00	8 - 35	JW3-H2379-00	16 - 5	JOB-K7768-20	11 - 8
J55-27270-00	7 - 20	JU0-F3521-20	3 - 12	JW8-F639N-00	6 - 9	JW8-G2541-00	8 - 39	JW1-H2510-00	18 - 36	JOB-K8111-00	12 - 1
J10-27282-00	7 - 6	5UG-F3527-00	4 - 21	JW8-F7113-00	6 - 11	JW8-G2756-00	8 - 36	JU2-H2510-20	18 - 40	JOB-K8111-10	12 - 1
	7 - 17	JOB-F3570-10	3 - 1	JW8-F7117-00	6 - 6	JH7-G3396-01	8 - 9	JU2-H2511-00	18 - 38	JOB-K8111-20	12 - 1
JW9-81962-00	19 - 3	JW1-F3811-03	4 - 1	JW8-F7118-00	6 - 41	JW8-G4178-00	8 - 32	JU6-H2569-00	18 - 39	JOB-K8111-30	12 - 1
JW9-82107-03	19 - 1	JW1-F3812-00	4 - 13	JW8-F7119-00	6 - 28	JW8-G5244-00	8 - 33	5UG-H2579-00	18 - 37	JOB-K8111-40	12 - 1
JW9-82174-00	19 - 2	JW1-F3822-01	4 - 29	JW8-F7121-00	6 - 13	JW8-G5378-00	8 - 22	J0J-H2590-01	18 - 12	JOB-K8111-50	12 - 1
JF7-82817-22	18 - 23	JU0-F3828-10	4 - 22	JW9-F7200-21	6 - 2	JW9-G6136-00	8 - 8	JW2-H2727-00	17 - 2	JOB-K8111-60	12 - 1
JC3-86510-00	17 - 1	1P0-F3833-00	4 - 26	JW8-F7213-20	6 - 34	JOC-G6300-00	7 - 1	JU2-H2917-00	18 - 9	JOB-K8111-A0	12 - 1
J0B-F125J-00	2 - 17	JW1-F3837-00	4 - 22	JW8-F7217-00	6 - 32		8 - 1	JR1-H3383-02	18 - 19	JOB-K8111-B0	12 - 1
1NS-F1338-00	18 - 35	JN3-F3838-00	4 - 6	JW8-F7218-00	6 - 10	JW9-G6312-00	8 - 19	JN6-H3386-01	18 - 20	JOB-K8112-00	12 - 4
5B4-F1338-00	18 - 28	5UG-F3844-00	4 - 19	JW9-F7221-00	6 - 14	JW9-G631A-00	8 - 18	JC1-H351B-01	18 - 41	JOB-K8112-10	12 - 4
JW1-F1549-01	21 - 8	JU0-F3857-11	4 - 3	JW9-F7228-00	6 - 23	JW9-G6321-00	8 - 3	JW3-H3756-00	16 - 3	JOB-K8112-20	12 - 4
	21 - 14		4 - 5	JW9-F7231-10	6 - 18	JW9-G6350-00	8 - 11	JW9-H5885-00	6 - 52	JOB-K8112-30	12 - 4
JOB-F1738-00	2 - 6	JW1-F3866-00	4 - 24	JW9-F7232-00	6 - 19	JW9-G6410-00	8 - 15	JW9-H6181-00	18 - 21	JOB-K8112-40	12 - 4
	12 - 9	JW1-F387A-00	4 - 11	JW9-F7245-10	6 - 30	JW9-G6421-00	8 - 13	J0E-H6527-00	18 - 26	JOB-K8112-50	12 - 4
	12 - 14	JW1-F387E-00	4 - 14	JW9-F7246-20	6 - 46	JN3-G6432-00	8 - 20	JOB-K7173-20	20 - 8	JOB-K8112-60	12 - 4
	15 - 5	5UG-F387F-00	4 - 17	JW9-F7263-00	6 - 49	JR1-G6511-00	8 - 25	JOB-K7200-00	20 - 1	JOB-K8112-A0	12 - 4
	15 - 7	5UG-F387G-00	4 - 15	JW8-F7280-00	7 - 13	JR1-G6512-00	8 - 26	JOB-K7200-10	20 - 1	JOB-K8112-B0	12 - 4
JW1-F1738-00	2 - 8	5UG-F387J-00	4 - 18	JW8-F7281-00	7 - 5	JW8-G6514-00	8 - 31	JOB-K7200-20	20 - 6	JOB-K8114-00	11 - 6
J0J-F1781-00	12 - 18	5UG-F387K-00	4 - 16		7 - 16	JW8-G6521-00	8 - 37	JOB-K7200-30	20 - 6	JOC-K8114-00	11 - 6
JOC-F2110-00	1 - 1	JW1-F3894-00	4 - 25	JW8-F7286-00	7 - 10	JW3-H1117-00	16 - 6	JOB-K7213-00	20 - 5	JOB-K8115-00	11 - 1
JN6-F2123-10	1 - 2	JOB-F413G-00	21 - 17		7 - 21	JW3-H1155-00	16 - 4		20 - 18	JOB-K8115-10	11 - 1
JN6-F2124-10	1 - 6	JOB-F413J-00	21 - 18	JW8-F7290-00	7 - 2	JC1-H1441-00	18 - 10	JOB-K7217-00	20 - 15	JOB-K8115-20	11 - 1
JOB-F2127-00	2 - 13	JW1-F414G-10	21 - 19	JW8-F7316-01	6 - 31	JW3-H165G-00	16 - 7	JOB-K7218-00	20 - 14	JOB-K8115-30	11 - 1
JW1-F217G-10	1 - 10	JOB-F4161-00	11 - 2	JW8-F7317-00	6 - 40	JW9-H1674-00	15 - 1	JOB-K7219-00	20 - 16	JOB-K8115-40	11 - 1
JW9-F2198-10	2 - 10	JOB-F417A-00	21 - 16	JW8-F7318-00	6 - 20	JW3-H182J-00	16 - 8	JOB-K7237-00	20 - 3	JOB-K8115-50	11 - 1
JOC-F2210-00	1 - 14	JW8-F41B8-00	6 - 51	JW8-F7322-00	6 - 15	JW3-H182V-00	16 - 10		20 - 10	JOB-K8115-60	11 - 1
JW9-F2417-00	2 - 9	JW8-F4486-00	6 - 44	JOC-F7411-01	2 - 5	JW3-H183J-00	16 - 2	JOB-K7238-00	20 - 13	JOB-K8115-A0	11 - 1
J0A-F2501-00	2 - 1		6 - 48	JW8-F7416-00	6 - 8	JW3-H1869-00	16 - 9	JOB-K7240-00	20 - 4	JOB-K8115-B0	11 - 1
JC1-F252M-10	2 - 4	JW9-F4648-20	6 - 50	JW8-F7426-01	6 - 17	JW3-H1890-00	16 - 1	JOB-K7240-20	20 - 17	JW9-K811K-00	18 - 4
JW9-F2535-00	2 - 7	JW1-F467K-00	4 - 23	JW8-F7434-00	6 - 39	JW9-H1892-00	18 - 2	JOB-K7247-00	20 - 11	JOB-K8141-00	12 - 10
JOB-F255G-00	2 - 2	JW1-F5100-01	9 - 1	JW8-F7435-00	6 - 56	JU6-H1950-00	18 - 15	JOB-K7257-00	20 - 12	JOC-K8141-10	12 - 10
JOB-F258E-00	2 - 11	JW8-F5103-00	3 - 21	JW8-F7438-00	6 - 38	JU2-H1962-00	19 - 6	JOB-K7258-00	20 - 9	JOC-K8141-20	12 - 10
JOB-F2873-01	12 - 15	JW8-F5118-00	8 - 38	JW9-F7445-31	6 - 33	JU2-H1962-10	19 - 6	JW7-K7329-00	12 - 8	JOC-K8141-30	12 - 10
JOB-F2874-01	12 - 16	JN6-F5118-01	3 - 29	JW8-F7814-21	6 - 3	JU2-H1962-20	19 - 6	JW1-K7387-00	21 - 10	JOC-K8141-40	12 - 10
JW7-F312H-00	5 - 4	JW8-F5415-00	6 - 25		6 - 43	JW2-H2107-13	19 - 4	JOB-K7389-00	14 - 5	JOC-K8141-50	12 - 10
JW1-F3183-00	4 - 12	JW9-F5666-00	6 - 12	JW8-F7825-01	6 - 27	JW9-H210G-00	18 - 32	JOB-K7458-00	20 - 2	JOC-K8141-60	12 - 10
JW8-F3183-00	6 - 16	JW9-F5671-00	6 - 5	JW9-F7850-31	6 - 1	JC1-H2115-00	18 - 5		20 - 7	JOC-K8141-A0	12 - 10
JOC-F3350-00	3 - 14	JW9-F5672-00	6 - 4	JW9-F7853-00	6 - 35	JC1-H2116-00	18 - 6	JOB-K7510-00	10 - 1	JOC-K8141-B0	12 - 10
JOC-F3390-00	3 - 19	JW9-F5673-00	6 - 45	JW9-F7871-10	6 - 36	JC1-H2127-00	18 - 7	JW8-K7540-00	10 - 7	JOB-K8164-00	10 - 2

NUMERICAL INDEX

PART NO.	REF. NO.	PART NO.	REF. NO.	PART NO.	REF. NO.	PART NO.	REF. NO.	PART NO.	REF. NO.	PART NO.	REF. NO.
J0B-K816M-00	2 - 14	JW1-K8402-10	15 - 10	90201-08310	18 - 3	92902-10100	1 - 12				
J0B-K817H-00	12 - 20	J0B-K8423-00	14 - 1	90201-121H8	7 - 12	92902-10600	1 - 13				
J0B-K817H-10	12 - 20	J0B-K8426-01	15 - 8		7 - 23	92902-12200	4 - 8				
J0B-K817J-00	12 - 21	JW1-K8427-00	15 - 2	90201-121H9	7 - 11	9299R-06200	14 - 14				
J0B-K817J-10	12 - 21	J0B-K84A0-00	21 - 1		7 - 22	93101-24822	8 - 28				
J0B-K818A-00	13 - 2	J0B-K84A0-10	21 - 1	90201-128S4	1 - 9	93102-30083	3 - 26				
J0B-K818B-00	13 - 5	J0B-K84A2-00	21 - 2	90208-14801	3 - 27	93210-148B9	8 - 12				
J0B-K8191-00	13 - 8	JN9-W2536-00	7 - 3	90215-06811	16 - 12	93210-478B8	8 - 5				
J0B-K8192-00	13 - 10		7 - 14	90249-14129	5 - 9	93306-00440	8 - 30				
J0B-K819H-00	12 - 7	90101-069U0	16 - 11	90269-06804	11 - 5	93306-005Y1	8 - 6				
JW1-K8214-00	21 - 12	90101-08855	8 - 23		13 - 4	93306-005Y3	3 - 24				
J0B-K8233-00	11 - 15	90101-08856	8 - 21		13 - 7	93306-007Y0	8 - 14				
J0B-K8237-01	12 - 12	90101-10854	8 - 16		13 - 9	93306-203X1	8 - 7				
J0B-K8243-00	11 - 18	90105-06831	2 - 15		13 - 11	93306-204X0	3 - 23				
J0B-K8244-00	11 - 20		11 - 4	90269-07803	11 - 7	93306-303Y6	8 - 10				
J0B-K8271-00	13 - 1		18 - 18		11 - 19	93420-44805	8 - 29				
J0B-K8273-00	11 - 17	90105-06833	17 - 4		11 - 21	93420-50804	8 - 4				
J0C-K827A-00	12 - 17	90105-08867	2 - 12		12 - 3	95302-08700	10 - 5				
J0B-K8282-00	11 - 9		18 - 34		12 - 6	95307-08700	5 - 8				
JW9-K8297-01	12 - 19	90105-088B6	2 - 16		12 - 11	95602-10200	1 - 16				
JW9-K8297-11	12 - 19	90105-10219	3 - 8	90269-09003	11 - 16		3 - 7				
JW2-K8298-10	2 - 19	90105-10267	3 - 13		13 - 3		10 - 8				
JW2-K8298-20	2 - 19		3 - 20		13 - 6	95602-12200	1 - 8				
J0B-K8312-00	21 - 3	90105-10373	3 - 6	90381-17800	3 - 10		4 - 9				
JW1-K8313-01	21 - 5	90105-10840	8 - 2	90381-18801	3 - 2	95602-14100	3 - 28				
JW1-K8314-10	21 - 11	90105-10847	4 - 28	90386-12800	6 - 26	95612-12100	3 - 18				
JW1-K8314-20	21 - 11	90105-13800	1 - 3	90387-046N7	4 - 37	95812-08016	10 - 3				
J0B-K832F-00	11 - 22	90109-08002	14 - 2	90387-12016	3 - 15	95812-08020	4 - 2				
J0B-K832F-10	11 - 22	90110-06125	15 - 9	90387-241M7	3 - 25		6 - 57				
J0B-K832G-00	11 - 23	90111-05805	11 - 12	90461-14108	18 - 33	95812-08040	2 - 3				
J0B-K832G-10	11 - 23	90114-12806	3 - 22	90464-20005	18 - 27	95812-08050	10 - 4				
JW1-K8340-00	14 - 3	90119-06808	15 - 11	90464-25826	18 - 11	95812-10055	1 - 15				
JW1-K834G-00	14 - 9	90119-10044	1 - 5	90464-40825	18 - 25	95812-12065	1 - 7				
JN6-K8355-20	14 - 8	90159-06845	14 - 13	90464-48800	18 - 29	95812-12080	3 - 17				
JF2-K8356-00	14 - 7	90170-08841	8 - 24	90464-76800	2 - 18	95822-06012	10 - 6				
JW8-K8357-00	4 - 32	90170-10840	8 - 17		18 - 30	97012-08030	4 - 30				
JN6-K8358-01	4 - 33	90176-06008	14 - 6	90468-20196	5 - 3	97012-10020	1 - 11				
J0B-K835E-00	11 - 11	90179-05807	18 - 16	90502-10013	4 - 36	9708R-06020	14 - 10				
J0B-K8361-00	15 - 4	90179-08822	5 - 7	90506-14001	7 - 8	97527-08516	17 - 3				
J0B-K8362-00	15 - 6	90179-08824	18 - 17		7 - 19	97602-05225	18 - 24				
JN6-K8380-00	14 - 12	90179-12262	9 - 2	90506-20281	7 - 7	97702-40525	4 - 34				
J0B-K8388-00	21 - 6	90179-13800	1 - 4		7 - 18	99001-09600	5 - 10				
JU0-K8388-00	21 - 7	90183-05008	11 - 13	91490-25015	5 - 12						
	21 - 13	90185-06836	14 - 11	91490-30030	8 - 27						
JW1-K8388-00	21 - 4	90185-12008	4 - 7	91702-08018	5 - 11						
JU0-K8398-00	21 - 9	90201-04810	4 - 35	91702-10026	5 - 2						
	21 - 15	90201-05824	6 - 55	92017-06040	14 - 4						
J0A-K8401-00	15 - 3	90201-068E2	16 - 13	92902-08600	4 - 31						