



# **2005 OWNER'S MANUAL SUPPLEMENT FOR THE CARRYALL 294 DIESEL VEHICLE FOR EUROPE**

## **SUPPLEMENT TO THE 2005 CARRYALL 294 GASOLINE AND DIESEL VEHICLE OWNER'S MANUAL**

---

The following pages are supplemental to the 2005 Carryall 294 Gasoline and Diesel Vehicle Owner's Manual. If you do not have a Carryall 294 Gasoline and Diesel Vehicle Owner's Manual for your vehicle, you may obtain one from your Club Car dealer or distributor.

## NOTICE

---

This supplement should be used in conjunction with the 2005 Carryall 294 Gasoline and Diesel Vehicle Owner's Manual.

This manual contains proprietary information that is protected by copyright. All rights are reserved. No part of this supplement may be photocopied, reproduced, or translated to another language without the written consent of Club Car, Inc. Club Car is not liable for errors in this supplement or for incidental or consequential damages that result from the use of the material in this supplement.

The information contained in this document is subject to change without notice.

Club Car reserves the right to make design changes to either gasoline or electric vehicles without obligation to make these changes on units previously sold.

The Club Car Limited Warranty for Carryall 294 vehicles appears at the end of the owner's manual. No other warranties, express or implied, are contained herein. Your authorized representative checked this vehicle before it was delivered to you and will provide you a copy of the completed vehicle warranty registration form.

These vehicles do not conform to Federal Motor Vehicle Safety Standards for automobiles or to FMVSS 500 for low-speed vehicles, and are not designed or equipped for use on public streets, roads, or highways.

This supplement effective September 2, 2004.

Copyright © 2004 Club Car, Inc.

## TABLE OF CONTENTS

---

Vehicle Feature Identification . . . . .	4
Vehicle Feature Identification Key . . . . .	6
Controls and Indicators . . . . .	6
Pre-Operation and Daily Safety Checklist . . . . .	7
Driving Instructions . . . . .	7
Vehicle Specifications . . . . .	8

## **SAFETY DETAILS**

---

### **WARNING**

- This supplement and the 2005 Carryall 294 Gasoline and Diesel Vehicle Owner's Manual should be read completely before attempting to operate or service the vehicle. Failure to heed the warnings or follow the instructions in this supplement and in the manual could result in property damage, severe personal injury, or death.

See the 2005 Carryall 294 Gasoline and Diesel Vehicle Owner's Manual for additional Safety Details.

# DIESEL VEHICLES (EUROPE)

**UNDER 16**

**WARNING**  
 YOUNG DRIVERS INCREASE CHANCE OF DEATH

- Young drivers may not be able to control vehicle.
- No drivers younger than 16 years old.
- Do not leave children unattended on vehicle.

CCI 102459601

**WARNING**

**ROLLOVER OR FALLING OFF MAY CAUSE DEATH**

- Read owner's manual and operating instructions.
- Fasten seat belts and remain seated while moving.
- Children requiring a child safety seat must not ride on vehicle. Comply with state and local laws pertaining to child safety.
- Drive slowly in turns and straight up and down slopes.
- Do not start vehicle until all occupants are seated.
- Front seats: One (1) person per seat maximum.
- Operate from driver side only and not on public roads.
- Keep entire body inside vehicle while moving.
- Do not operate while under the influence of alcohol or drugs.
- Never attempt jumps and avoid extremely hard braking in reverse.

102455301

Club Car, Inc.  
 Augusta, Georgia, USA  
 Roll-over Protective Structure (ROPS)  
 ROPS per ISO 3471, SAE J1040,  
 AS 2294.1, and CSA B352.2  
 Certified for vehicle models:  
 Carryall 294, XRT 1500, and Bobcat 2200  
 Max. unladen vehicle mass: 2094 lb (950 kg)

**WARNING**

- Do not modify or remove Roll-over Protective Structure (ROPS).
- Replace ROPS if damaged. Do not attempt repair.
- Use seat belts during operation. Do not jump from vehicle.
- Keep away from drop-offs, steep slopes, and unstable surfaces.

CCI 102621101

Club Car, Inc.  
 4125 Washington Rd.  
 Augusta, GA, 30809, USA

CE

Type: Carryall 294  
 Voltage: 12 V Power: 14.9 kW

Unladen Weight of Vehicle: 704 kg  
 Maximum Distributed Load "C": 363 kg

Allowance for Operator and Passenger: 180 kg  
 Gross Laden Weight: 1247 kg  
 Supporting Force on Tow Hook: 667 N  
 Drawbar Pull: 100 N  
 Maximum Load on Trailer: 363 kg

SVP228901

**WARNING**

Riding in cargo bed can cause severe injury or death. Do not ride in cargo bed.

CCI 101553901

**WARNING**

Rotating Parts

CCI 102236001

**NOTICE**

MAXIMUM TONGUE WEIGHT - 150 lbs.

CCI 1011553

**WARNING**

CRUSH AREA

STAY CLEAR

CCI 101609401

**WARNING**

Crush area. Can cause severe injury. Stay clear when closing bed.

CCI 10263901

<p><b>VEHICLE LOADING</b></p> <p>Read owner's manual and warnings on dash.</p>	<p>• Maximum gross vehicle weight: 2750 lb. (1247 kg)</p> <p>• Maximum cargo load: 800 lb. (363 kg)</p> <p>- Includes cargo bed load and gross trailer weight.</p> <p>- Maximum cargo load is reduced by the weight of optional equipment.</p> <p>• Maximum trailer hitch tongue weight: 150 lb. force (667 N).</p>	<p>• PREVENT VEHICLE ROLL-OVER.</p> <p>- Place cargo forward in the cargo bed and distribute evenly side to side. Secure load.</p> <p>- On uneven or steep terrain reduce speed and load. Avoid stopping on or backing down steep hills.</p> <p>- Avoid top heavy loads. See owner's manual.</p> <p>CCI 102682301</p>
	<p>(STANDARD VEHICLE)</p>	

<p><b>HIGH-CAPACITY VEHICLE LOADING</b></p> <p>Read owner's manual and warnings on dash.</p>	<p>• Maximum gross vehicle weight: 3012 lb. (1366 kg)</p> <p>• Maximum cargo load: 1050 lb. (476 kg)</p> <p>- Includes cargo bed load and gross trailer weight.</p> <p>- Maximum cargo load is reduced by the weight of optional equipment.</p> <p>• Maximum trailer hitch tongue weight: 150 lb. force (667 N).</p>	<p>• PREVENT VEHICLE ROLL-OVER.</p> <p>- Place cargo forward in the cargo bed and distribute evenly side to side. Secure load.</p> <p>- On uneven or steep terrain reduce speed and load. Avoid stopping on or backing down steep hills.</p> <p>- Avoid top heavy loads. See owner's manual.</p> <p>CCI 102459601</p>
	<p>(HIGH CAPACITY OPTION)</p>	

# DIESEL VEHICLES (EUROPE)

**WARNING**

**DIESEL FUEL EXPLOSION / FIRE.**

- Can cause severe injury or death.
- No smoking, sparks, or open flame.
- Stop engine, allow to cool before refueling.

CCI 102459201

**OPERATING INSTRUCTIONS**

- Read owner's manual and vehicle safety warnings. Study and understand controls.

**TO START ENGINE**

- Place shift lever in Neutral (N) position and press brake pedal.
- To preheat glow plugs, turn key to "PREHEAT" position and hold for 10-15 seconds.
- Turn key to "START" position and hold until engine starts.

**TO OPERATE VEHICLE**

- Make sure wheels are turned in desired direction and nothing is in your path.
- Engine must be at idle before moving shift lever.
- While vehicle is stopped, and the engine is at idle, select shift lever position.
  - ↑ - Forward
  - - Neutral
  - ↓ - Reverse (Buzzer will sound)
- Release park brake and slowly press accelerator pedal to increase speed.
- All-wheel drive will automatically drive appropriate wheel(s) as required.

**TO STOP VEHICLE**

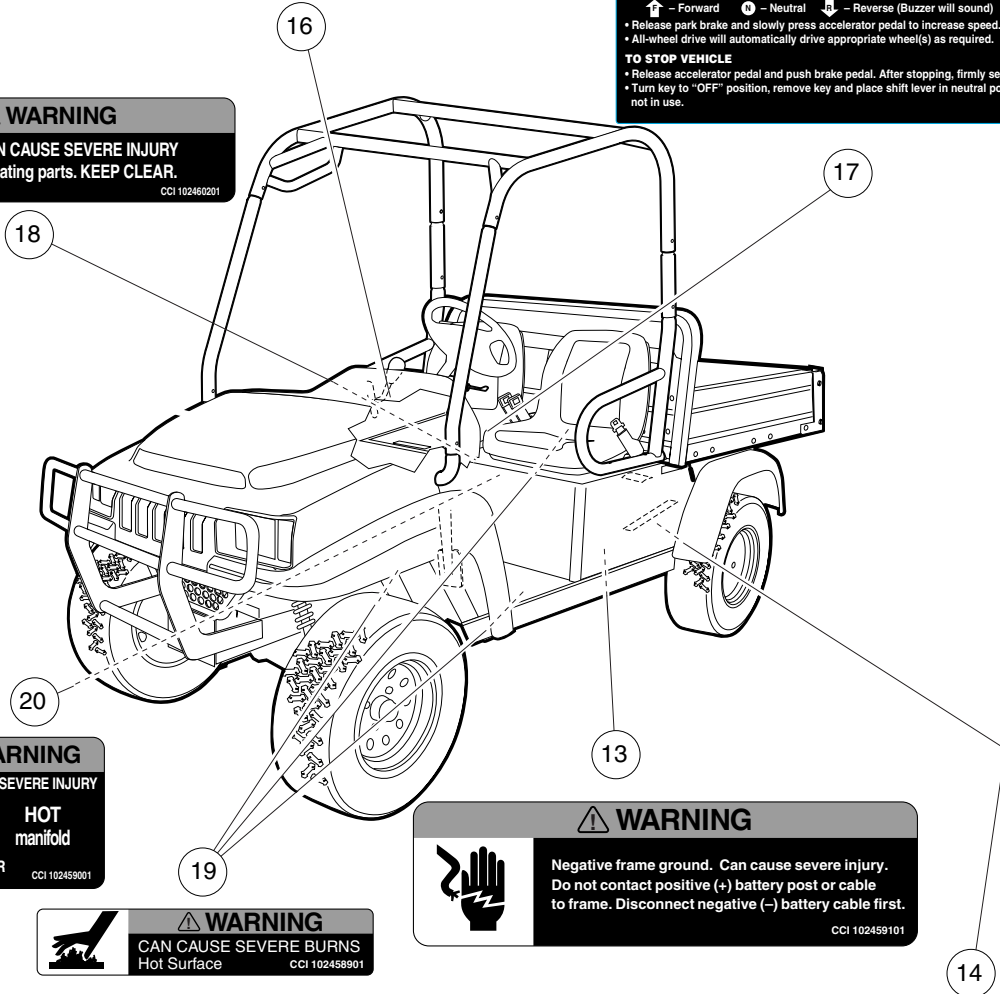
- Release accelerator pedal and push brake pedal. After stopping, firmly set park brake.
- Turn key to "OFF" position, remove key and place shift lever in neutral position when not in use.

CCI 102455101

**WARNING**

**CAN CAUSE SEVERE INJURY**  
Rotating parts. **KEEP CLEAR.**

CCI 102460201



**WARNING**

**CAN CAUSE SEVERE INJURY**  
**HOT manifold**  
**KEEP CLEAR**

CCI 102459901

**WARNING**

**CAN CAUSE SEVERE BURNS**  
Hot Surface

CCI 102458901

**WARNING**

Negative frame ground. Can cause severe injury. Do not contact positive (+) battery post or cable to frame. Disconnect negative (-) battery cable first.

CCI 102459101

<p><b>WARNING</b></p> <p><b>CAN CAUSE SEVERE INJURY</b> Rotating parts. <b>KEEP CLEAR.</b></p>	<p><b>WARNING</b></p> <p><b>CAN CAUSE SEVERE INJURY</b> Hot manifold and muffler. <b>KEEP CLEAR.</b></p> <p>CCI 102459501</p>
--	---

See Vehicle Feature Identification Key on page 6.

## VEHICLE FEATURE IDENTIFICATION KEY

See pages 4 and 5.

(1) Serial number decal	(8) Bed latch warning decal (CCI P/N 102459301)	(15) Vehicle identification decal (CCI P/N SVP228401-standard; CCI P/N SVP228501-high capacity) (on passenger-side seat support panel)
(2) Driver/Passenger warning decal (CCI P/N 102455301)	(9) Crush area warning decal (qty. 2) (CCI P/N 101609401) (on driver-side and passenger-side)	(16) Diesel warning decal (CCI P/N 102459201) (on passenger- side seat support)
(3) Underage warning decal (CCI P/N 102459401)	(10) Vehicle loading decal – standard vehicle (CCI P/N 102682301)	(17) Operating instructions decal (CCI P/N 102455101) (on panel between seats or on optional console/cup holder)
(4) Certification notice and warning decal (CCI P/N 102621101)	(11) Vehicle loading decal – high-capacity option (CCI P/N 102459601)	(18) Rotating parts warning decal (CCI P/N 102460201) (on vehicle frame and on alternator belt guard)
(5) Bed load warning decal (CCI P/N 101553901)	(12) Horn bezel	(19) Hot surface warning decal (qty. 5) (CCI P/N 102458901) (on coolant pipes, underside of each seat, and on crossbar behind seats)
(6) Rotating parts warning decal (CCI P/N 102224001) (on top of passenger-side vehicle frame)	(13) Frame ground warning decal (CCI P/N 102459101) (on vehicle frame near body, shown on pages 5)	(20) Hot manifold warning decal (CCI P/N 102459001) (on engine valve cover)
(7) Trailer hitch decal (CCI P/N 1011553) (on rear receiver hitch)	(14) Rotating parts and hot manifold warning decal (CCI P/N 102459501) (on driver-side vehicle frame, shown on pages 5)	

## GENERAL INFORMATION

This utility vehicle is especially designed for off-road transportation of cargo and passengers. Its construction allows for operation on rough terrain on inclines not exceeding 20%.

## CONTROLS AND INDICATORS

### ELECTRIC BED LIFT

The electric bed lift switch (1) is located on the instrument panel to the right of the key switch (**Figure 2**). To lift the bed, pull up and hold the toggle switch in the upper position. Release switch to stop lifting operation. To close the bed, press down and hold switch in the lower position. The bed lift will make a loud clicking sound to signal the bed is in the rest position.

### TURN SIGNAL

The turn signal control is mounted to the left of the steering column. Push the handle down to indicate a left turn; push the handle up to indicate a right turn.

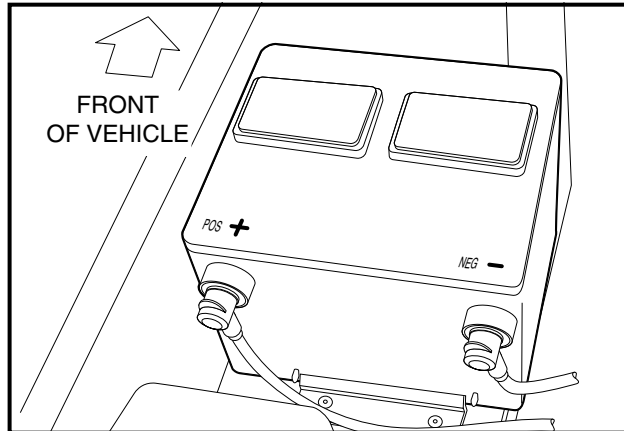


Figure 1 Battery

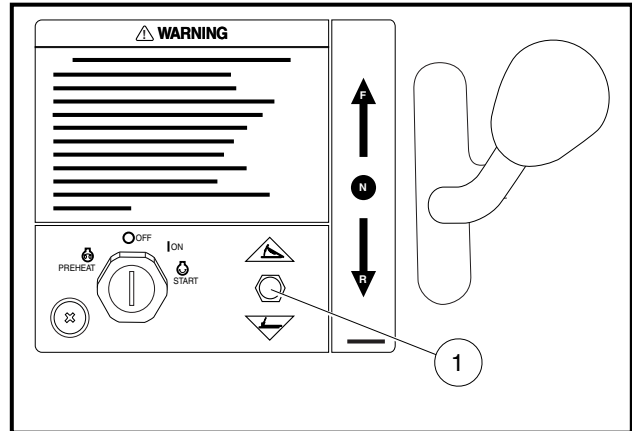


Figure 2 Bed Lift

## HORN

The horn button is located on the floorboard to the left of the brake pedal. Press the button with your left foot to sound the horn. **See Vehicle Feature Identification on page 5.**

**See the 2005 Carryall 294 Gasoline and Diesel Vehicle Owner's Manual for additional Controls and Indicators.**

## PRE-OPERATION AND DAILY SAFETY CHECKLIST

- **Safety and information decals:** Check to be sure all safety and information decals are in place. **See pages 4 through 5 of this supplement.**
- **Tires:** Check for proper tire pressure. **See Vehicle Specifications on page 8.**
- **Turn signal:** Check to be sure turn signal is operating correctly.

## PERFORMANCE INSPECTION

- **Park brake:** When latched, the park brake should lock the wheels and hold the vehicle stationary (on an incline of 20% or less).

**See the 2005 Carryall 294 Gasoline and Diesel Vehicle Owner's Manual for remaining checklist items before test-driving the vehicle.**

## DRIVING INSTRUCTIONS

### **▲ WARNING**

- **To help prevent overturning the vehicle, drive slowly straight up and down slopes. Avoid driving the vehicle on slopes exceeding 20% incline.**

**See the 2005 Carryall 294 Gasoline and Diesel Vehicle Owner's Manual for additional Driving Instructions.**

## VEHICLE SPECIFICATIONS

SPECIFICATIONS	DIESEL VEHICLES
<b>DIMENSIONS/WEIGHT</b>	
<b>Weight</b> (with all-terrain tires)	1551 lb. (703.5 kg)
<b>Maximum payload capacity</b> (level surface only)	800 lb. (363 kg) High capacity option: 1050 lb. (476 kg)
<b>Vehicle rated capacity</b> (payload, driver, and passenger; level surface only)	1200 lb. (544 kg) High capacity option: 1450 lb (658 kg)
<b>Maximum gross vehicle weight</b> (fully loaded vehicle, including accessories)	2750 lb. (1247 kg) High capacity option: 3012 lb. (1366 kg)
<b>NOISE AND VIBRATION SPECIFICATIONS</b>	
<b>Noise level to operator with engine at idle</b>	71.2 dBA
<b>Drive-by noise level to operator</b>	86.1 dBA
<b>Drive-by noise level to environment</b>	77.2 dBA
<b>Vibration at driver's seat</b>	0.4 m/sec <sup>2</sup>
<b>CLIMATIC EXTREMES</b>	
<b>Operating temperature range</b>	-20 to 40 °C (-4 to 104 °F)
<b>LIQUID CAPACITIES</b>	
<b>Engine crankcase with filter:</b> SAE 10W-30, API classification CF	3 qt. (2.8 L)
<b>Front differential:</b> Mobil 424, Exxon Hydraul 560, or Esso Hydraul 56 lubricant	5 oz. (150 mL)
<b>Rear differential:</b> Mobil 424, Exxon Hydraul 560, or Esso Hydraul 56 lubricant	20 oz. (600 mL)
<b>Transmission:</b> Mobil 424, Exxon Hydraul 560, or Esso Hydraul 56 lubricant	20 oz. (600 mL)
<b>Engine coolant:</b> mixture of 55% propylene glycol and 45% water	2 gal. (7.8 L)
<b>Brake fluid:</b> DOT 5 (silicone) brake fluid	8 oz. (240 ml)
<b>Fuel tank:</b> diesel grade no.2 with cetane rating of 45 or higher	6.5 gallons (24.6 L)

See the 2005 Carryall 294 Gasoline and Diesel Vehicle Owner's Manual for additional Vehicle Specifications.