

***Rear Instructions only, front lift kit is sold separately and will include its own installation instructions. ***

MADJAX[®]

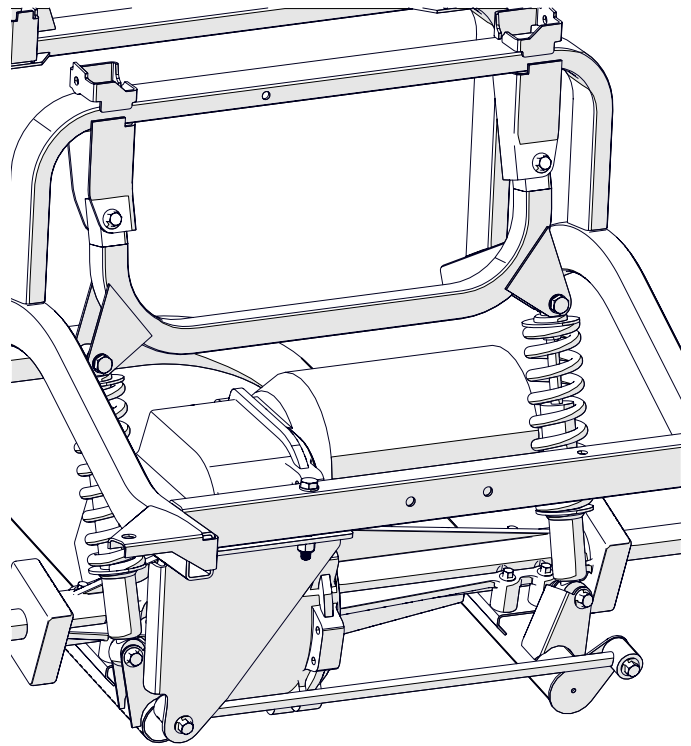
Part # 16-057 (REAR)

MadJax King XD Lift Kit

(Yamaha Drive and Drive2 w/ Solid Rear Axle)



SCAN CODE TO WATCH
INSTALLATION VIDEO



WARNING



- To reduce risk of accidents and injury or death -

Be Prepared

- Wear seatbelt, motorcycle helmet, eye protection, and protective gear.
- Keep your body completely inside the vehicle at all times. Keep both hands on the steering wheel. Be sure passenger is seated, belted, and holding onto the handholds.

Be Qualified and Responsible

- This vehicle is intended for use only by an operator 16 years or older with a valid motor vehicle license.
- Passenger and driver must be able to place both feet flat on the floorboard while seated upright with their backs against the seat backs.



Avoid Rollovers and Crushing Injuries

- Use care when turning:
 - Turning the steering wheel too far or too fast can result in a rollover or loss of control.
 - Slow down before entering a turn.
 - When making tight turns from a stop, or at slow speeds, avoid sudden or hard acceleration.
 - Avoid sideways sliding, skidding, or fishtailing, and never do donuts.
- Drive straight up and down inclines, not across them, if crossing a hill is unavoidable, drive slowly and turn downhill immediately if you feel the vehicle may tip.

Abrupt maneuvers or aggressive driving have caused rollovers - even on flat, open areas.

**MUST BE
16 or Older**



WARNING:

Professional installation is recommended for this lift kit and must be performed while following these instructions.

- * After installing this lift kit, the front wheels must be properly aligned. Failure to properly align the front wheels may result in decreased ability to control the Golf Cart which may result in a rollover or crash.**
- * The yellow Warning Label included with these instructions must be placed in a visible location to the operator of this vehicle.**
- * This MadJax lift kit is not intended for use on carts other than the Yamaha Drive G29 & Yamaha Drive2.**
- * Review installation instruction steps to ensure this MadJax lift kit was properly installed to the provided instructions.**
- * Increasing tire size larger than the stock 18" will increase the operating speed. Take care when maneuvering at all times.**
- * Do NOT use tire heights greater than 22" tires on this 4" lift. Exceeding tire heights larger than recommended will cause unintended speeds and performance issues.**
- * Be aware that this vehicle now handles differently. It is less stable and more sensitive to speed changes and the nature of operation.**
- * Follow all operating instructions and warnings provided.**

For additional assistance, call our support line 1-800-959-0852 or visit our support page @ <https://www.nivelparts.com/madjax-support>

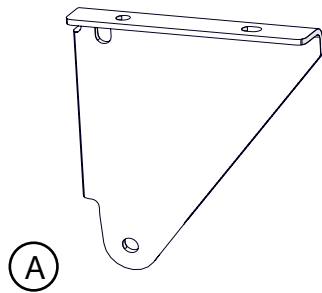
ITEMS INCLUDED

- Rear Shock Goalpost
- Track Bar Relocation Bracket
- Hardware Pack

TOOLS NEEDED

- Ratchet
- Torque Wrench
- Drill
- #5 Allen Head Socket
- 10mm Socket
- 14mm Socket
- 17mm Socket
- 19mm Socket
- 14mm Wrench
- 17mm Wrench
- 11mm (7/16") Drill Bit

TRACK BAR RELOCATION BRACKET




REAR SHOCK GOALPOST



ITEM	WARRANTY PART NUMBER	DESCRIPTION
-	N/A	HARDWARE KIT
A	16-057-05	TRACK BAR RELOCATION BRACKET
B	16-056-28	REAR SHOCK GOALPOST

	HARDWARE	QUANTITY
REAR SHOCK GOALPOST	M10 X 55mm HEX BOLT	2
	M10 FLAT WASHER	4
	M10 LOCK NUT	2
TRACK BAR RELOCATION	M10 X 30mm HEX BOLT	1
	M10 X 90mm HEX BOLT	1
	M10 FLAT WASHER	4
	M10 NYLOCK NUT	2

STEP 1

 19mm SOCKET

Chock front wheels and place the rear of the vehicle on jack stands under the vehicle frame. **Ensure the jack stands are properly placed under frame to support the vehicle to avoid damage or possible injury during installation.**

Make sure the rear is raised high enough to accommodate the new lift and larger tires then remove the rear wheels.

*Place floor jack under rear axle for support, but do not lift. Keep in place until after Step 5.



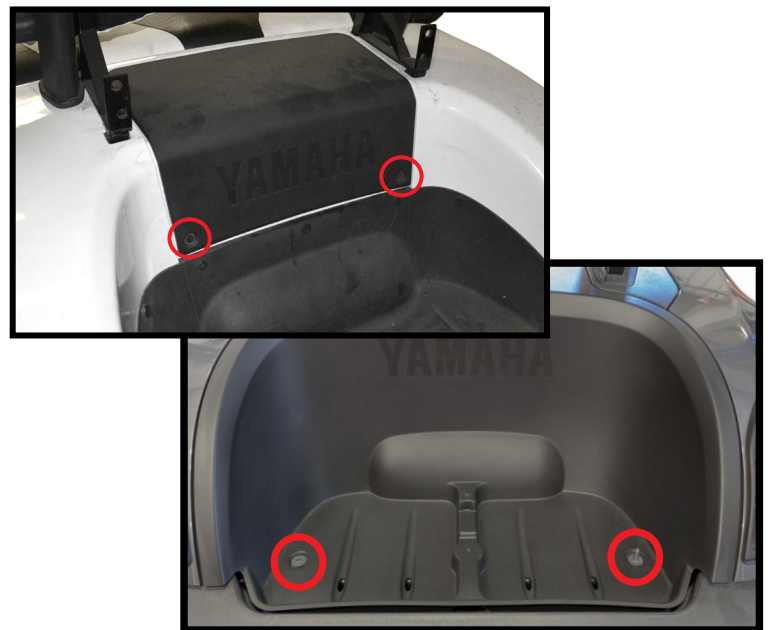
STEP 2

 Rivet Puller or #5 Allen Head Socket

Temporarily remove motor cover if installing on a Yamaha Drive G29 (Rivet Puller) or bagwell if installing on a Drive2 (#5 Allen Head Socket).

Note: If a rear seat kit is already installed you can either remove seat temporarily or access components from under cart.

Retain hardware for reinstallation.

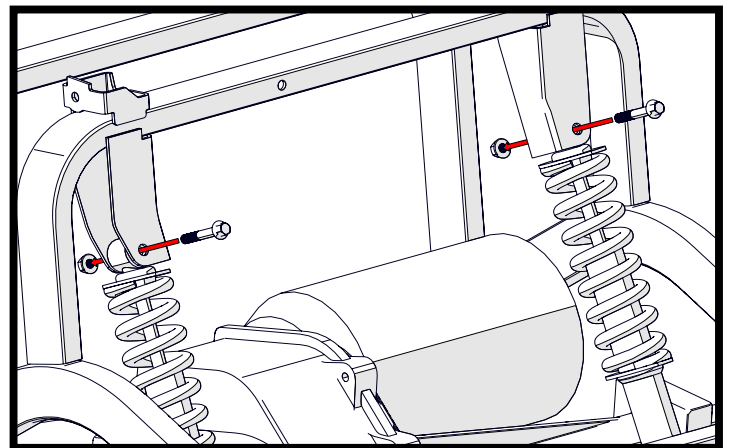


STEP 3

 14mm SOCKET & WRENCH

Support the rear axle with a floor jack but do not lift. Then remove both upper shock bolts and retain the hardware.

***Rear body not shown in following images for instructional purposes only. Removal of rear body is NOT required.**



STEP 4

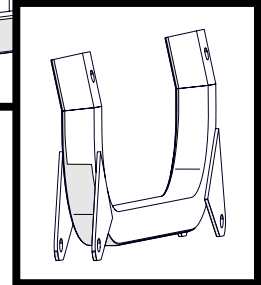
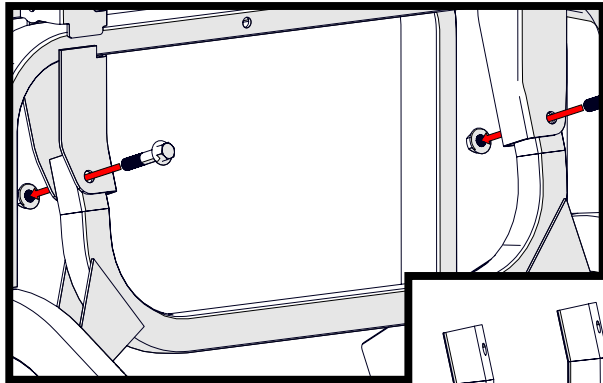


14mm SOCKET & WRENCH

Use the floor jack to lower the axle assembly.

Install the **Rear Shock Goalpost** weldment where the shocks were mounted using the stock hardware removed in Step 3. **Torque to 35-43 lb-ft (48-58 Nm).**

NOTE: Be sure the ends of the bracket are angled towards the front of the cart.



← Front of cart

STEP 5

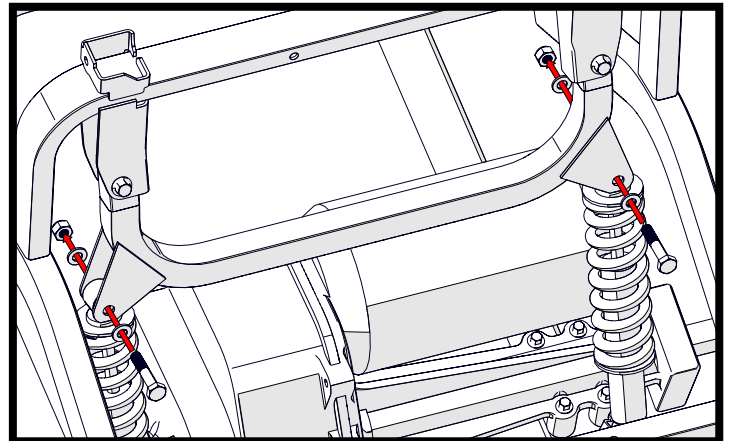


17mm SOCKET & WRENCH

Install the rear shocks to the bottom mounting holes of the **Goalpost** weldment using two (2) M10 x 55mm hex bolts, four (4) M10 flat washers, and two (2) M10 nylock nuts.

Torque hardware to 35-43 lb-ft (48-58 Nm).

Replace motor cover or bagwell from Step 2.



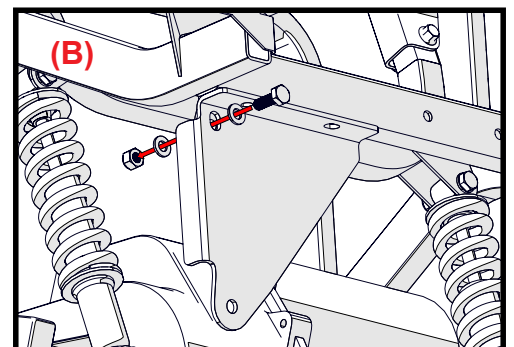
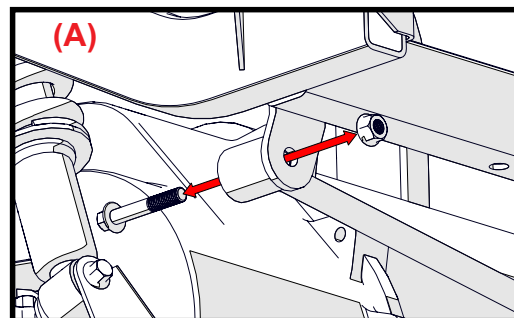
STEP 6



17mm SOCKET & WRENCH

(A) Remove the bolt securing the track bar from the driver's side of the frame.

(B) Use one (1) M10 x 30mm hex head bolt, two (2) M10 flat washers, and one (1) M10 nylock nut to loosely secure the **Track Bar Relocation Bracket** to the stock track bar mounting tab as shown.

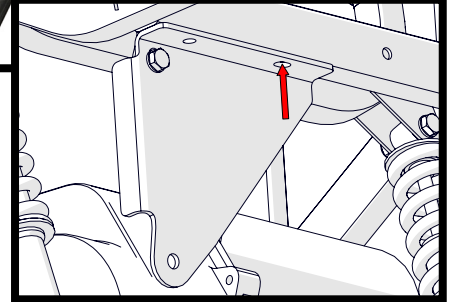


STEP 7

 10mm SOCKET, DRILL, & 7/16" DRILL BIT

For **Drive G29** carts, remove the driver's side mounting bolt from the bagwell in the location shown. Drill this hole out to 11mm (7/16") through both sides of the frame tube below.

For **Drive2** carts, tighten the M10x30 of the track bar bracket and use the bracket as a template to drill an 11mm (7/16") hole up through the frame tube and bag well liner.



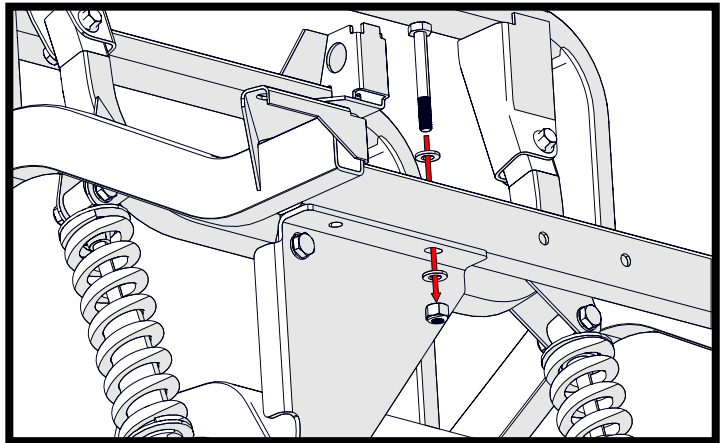
STEP 8

 17mm SOCKET & WRENCH

Use one (1) M10 x 90mm hex head bolt, two (2) M10 flat washers, and one (1) M10 nylock nut to secure the bracket to the newly drilled hole from Step 7. This bolt will go down through the bagwell and vehicle frame before mounting to the bracket.

Torque the track bar hardware to 35 lb-ft (47 Nm).

Note: If installing with a seat kit the M10 x 90mm bolt will go through the seat kit bagwell bracket as well.

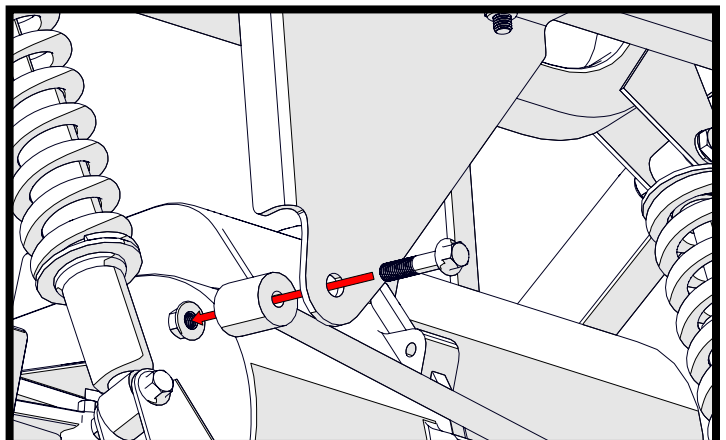


STEP 9

 17mm SOCKET & WRENCH

Install the track bar to the lower mounting hole on the relocation bracket using the stock hardware from Step 6.

Torque the hardware to the 55-77 lb-ft (75-105 Nm).



STEP 10



19mm SOCKET

Install new rear wheels/tires to the vehicle.

Torque the lug nuts to 65 lb-ft (88 Nm)

Remove the jack stands and lower the vehicle to the ground. We recommend installing 20"-22" Tires on this 4" kit.



NOTE: *DO NOT attempt to align or adjust toe/camber until both front and rear lift is installed and cart has been test driven. Camber/Toe install included with 16-055 Front Lift instructions.

*** Increasing tire size larger than the stock 18" will increase the operating speed. Take care when maneuvering at all times.**

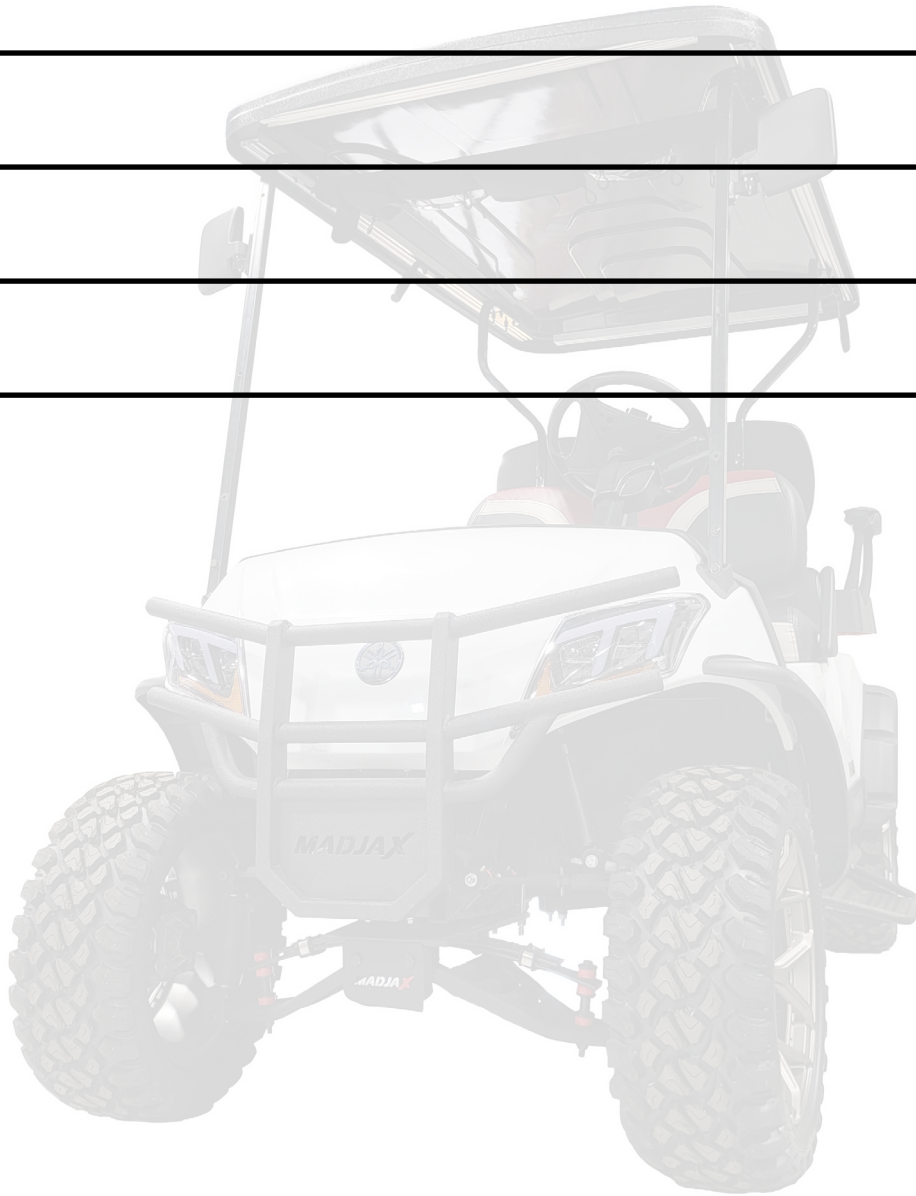
*** DO NOT use tire heights greater than 22" tires on this 4" lift kit. Exceeding tire heights larger than recommended will cause unintended speeds and performance issues.**

*****ONLY install this kit in conjunction with the front lift kit 16-055*****



REAR INSTALLATION COMPLETE

NOTES



Yamaha®, Yamaha® Drive®, Drive2® and G-29® are registered trademarks of Yamaha Golf-Car Company. Any reference to Club Car®, E-Z-GO®, or Yamaha® or their associated trademarks, word marks, and products are only for purposes of identifying golf carts with which this MadJax product is compatible. MadJax products are aftermarket parts and are not original equipment parts. MadJax is not connected to, affiliated with, sponsored by, or endorsed by either Textron Innovations, Inc., Club Car, Inc., Yamaha Golf Cart Company, or any of their parent or subsidiary companies.

