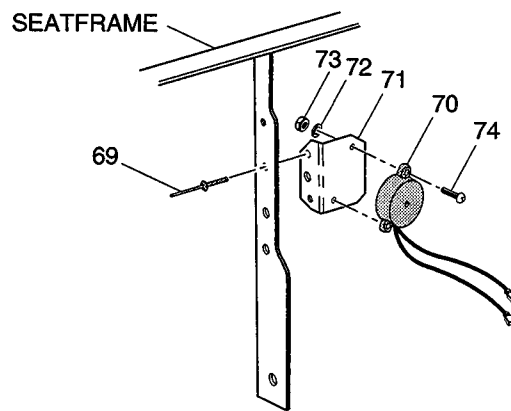
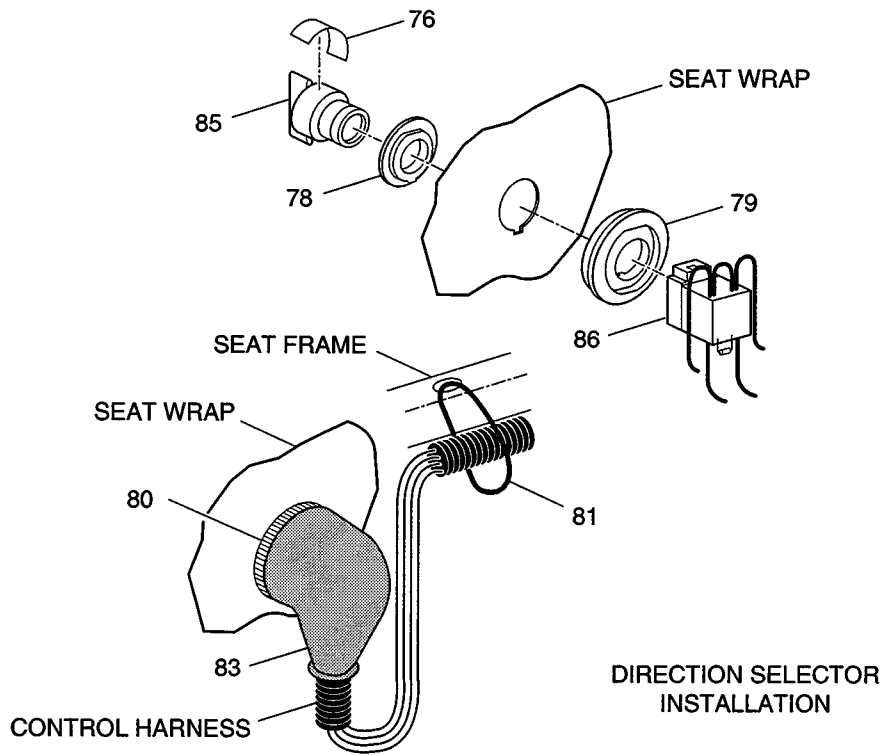


84 - INCLUDES ITEMS 85, 86



BUZZER ASSEMBLY INSTALLATION

DIRECTION SELECTOR

Electric Vehicle

THE USE OF NON UL PARTS WILL VOID ANY UL LISTING.

When ordering parts, please specify the model and serial number of the product.

* Indicates a component that is not available as an individual part.

G** Indicates consult Customer Service Department for additional information.

ITEM	PART NO.	1 2 3 4 5	DESCRIPTION	QTY.
1	73036-G01		DIRECTION SELECTOR ASSEMBLY (INCLUDES ITEMS 2 - 46).....	1
2	00138-G4		SCREW, #6 - 32 X 1/2 LG.	3
3	00139-G8		SCREW, #6 - 32 X 2 LG.	4
4	00414-G8		BOLT, 1/4 - 20 X 1 LG.....	2
5				
6	00525-G5		NUT, #6 - 32.....	8
7	00532-G1		NUT, 1/4 - 20.....	2
8				
9				
10	00559-G7		WASHER, 1/4	4
11	00560-G1		WASHER, 3/8	1
12				
13	00565-G3		WASHER, LOCK, #6	8
14	00565-G7		WASHER, LOCK, 1/4	2
15				
16				
17	00567-G3		WASHER, LOCK, #6	4
18				
19	10606-G2		SWITCH LIMIT, MS2 AND MS4.....	2
20				
21				
22	11098-G9		NUT, LOCK, 5/16 - 24.....	1
23	12806-G1		SPACER	4
24				
25	12835-G1		CAM.....	1
26				
27	*		SCREW.....	4
28	14390-G1		NUT, LOCK, 3/8 - 24.....	2
29	14628-G1		TAB, FASTON, 5/16 X 5/16	4
30				

THE USE OF NON UL PARTS WILL VOID ANY UL LISTING.

When ordering parts, please specify the model and serial number of the product.

* Indicates a component that is not available as an individual part.

G** Indicates consult Customer Service Department for additional information.

ITEM	PART NO.	1 2 3 4 5	DESCRIPTION	QTY.
31	14651-G1		CONTACT BOARD ASSEMBLY (INCLUDES ITEMS 32 - 34)	1
32	24940-G1		STOP.....	2
33	00565-G7		WASHER, LOCK, 1/4.....	2
34	00414-G6		BOLT, 1/4 - 20 X 3/4 LG.	2
35				
36	15461-G1		BRACKET, MOUNTING SUPPORT	1
37	15944-G3		BALL, BALL JOINT	1
38				
39				
40	73048-G01		BRACKET, COVER	1
41				
42	70232-G01		ARM, SHIFT LINKAGE.....	1
43				
44	73027-G01		SHAFT, DIRECTION SELECTOR	1
45	73031-G01		BRACKET, DIRECTION SELECTOR MOUNTING	1
46	73037-G01		BUZZER, REVERSE WARNING.....	1
47				
48	00438-G8		BOLT, 5/16 - 18 X 3/4 LG.	2
49	11098-G9		NUT, LOCK, 5/16 - 24	2
50	14444-G3		SOCKET, BALL JOINT.....	2
51				
52	00544-G4		NUT, 5/16 - 24	2
53	10697-G8		ROD, LINKAGE.....	1
54	15944-G3		STUD, JOINT BALL	1
55	70232-G02		ARM, SHIFT LINKAGE	1
56				
57	25664-G2		BEARING	1
58	14390-G1		NUT, LOCK, 3/8 - 24	1
59	70233-G01		SHAFT, DIRECTION SELECTOR.....	1
60				

DIRECTION SELECTOR

Electric Vehicle

THE USE OF NON UL PARTS WILL VOID ANY UL LISTING.

When ordering parts, please specify the model and serial number of the product.

* Indicates a component that is not available as an individual part.

G** Indicates consult Customer Service Department for additional information.

ITEM	PART NO.	1 2 3 4 5	DESCRIPTION	QTY.
61	71905-G01		HANDLE, DIRECTION SELECTOR.....	1
62	00740-G4		SCREW, STAINLESS STEEL, #10 - 32 X 1/2 LG.....	1
63				
64	00559-G8		WASHER, 5/16.....	1
65	16469-G7		WASHER, FENDER, STAINLESS STEEL.....	1
66	73049-G01		COVER, DIRECTION SELECTOR.....	1
67	00114-G6		SCREW, 1/4 - 14 x 3/4 LG.....	1
68				
69	14601-G16		RIVET, 5/32 (ITEMS 69 - 86 FOR USE ON DCS MODEL ONLY).....	2
70	73037-G02		BUZZER.....	1
71	32043-G2		BRACKET, BUZZER.....	1
72	00565-G3		WASHER, LOCK, #6.....	2
73	00525-G5		NUT, #6 - 32.....	2
74	00138-G4		SCREW, #6 - 32 X 1/2 LG.....	2
75				
76	73127-G01		LABEL, DIRECTION SELECTOR.....	1
77				
78	73134-G01		ADAPTER, SEAT WRAP.....	1
79	73133-G01		ADAPTER, DIRECTION SELECTOR SWITCH.....	1
80	31539-G1		CLAMP, NYLON.....	1
81	17618-G1		CLAMP, NYLON.....	2
82				
83	73130-G01		BOOT, RUBBER.....	1
84	73128-G01		KNOB, DIRECTION SELECTOR (INCLUDES ITEMS 85 - 86).....	1
85	73128-G02		KNOB, DIRECTION SELECTOR.....	1
86	73128-G03		BLOCK, CONTACT SWITCH.....	1