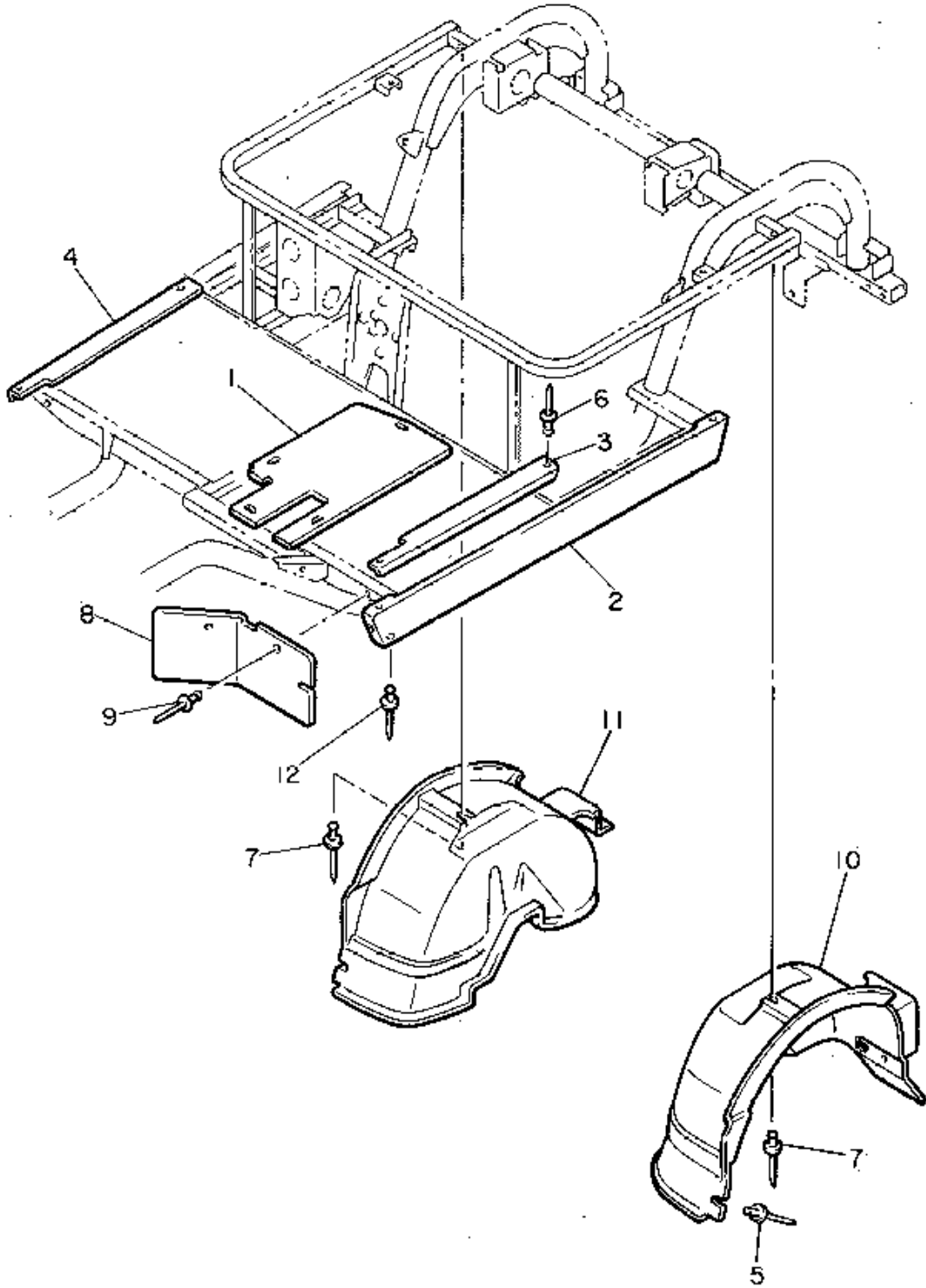


BODY FITTING



Ref. No.	Part Number	Description	Qty	Remarks
1	JF2-K8271-00-00	SERVICE LID, PEDAL	1	YPAD
2	JF2-K818A-00-00	PROTECTOR, SIDE	2	YPAD
3	JF2-K8215-10-00	PLATE, SIDE TRIM	1	YPAD
4	JF2-K821F-10-00	PLATE, SIDE TRIM	1	YPAD
5	90267-48086-00	RIVET, BLIND	6	
6	90267-48154-00	RIVET, BLIND	4	
7	90267-48086-00	RIVET, BLIND	6	
8	JF2-K8187-00-00	FLAP, FRONT FENDER (L.H) ..	2	YPAD
9	90267-48101-00	RIVET, BLIND	4	
10	JF2-K8191-00-00	PANEL, REAR FENDER	1	YPAD
11	JF2-K8192-00-00	PANEL, REAR FENDER	1	YPAD
12	90267-48101-00	RIVET, BLIND	6	



JF3100-0130

