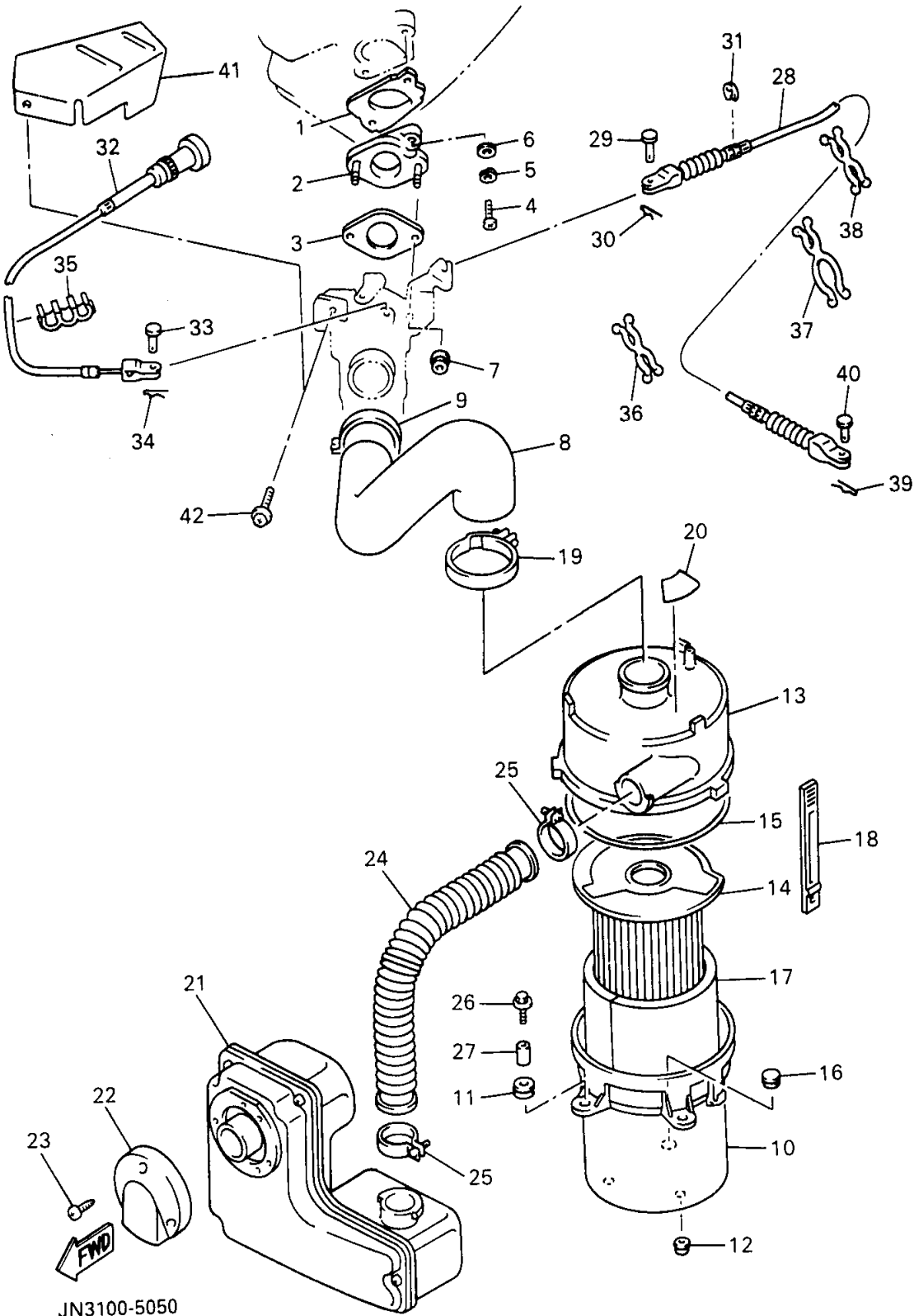


INTAKE



| Ref. No. | Part Number | Description | Qty | Remarks |
|----------|-----------------|----------------------------------|-----|---------|
| 1 | J38-13556-01-00 | GASKET, MANIFOLD | 1 | |
| 2 | J38-13596-00-00 | JOINT, CARBURETOR 2 | 1 | |
| 3 | J38-13557-01-00 | GASKET | 1 | |
| 4 | 98517-06030-00 | SCREW, PAN HEAD (98507-06030-00) | 2 | |
| 5 | 92907-06100-00 | WASHER, SPRING | 2 | |
| 6 | 92907-06600-00 | WASHER, PLATE | 2 | |
| 7 | 95607-06200-00 | NUT, SELF U-FLANGE | 2 | |
| 8 | J38-14453-01-00 | JOINT, AIR CLEANER 1 | 1 | |
| 9 | 90460-53239-00 | CLAMP, HOSE | 1 | |
| 10 | J10-14411-01-00 | CASE, air cleaner 1 | 1 | |
| 11 | 90480-13238-00 | GROMMET | 2 | |
| 12 | 90480-14239-00 | GROMMET | 2 | |
| 13 | JN3-14412-00-00 | CAP, CLEANER CASE 1 | 1 | |
| 14 | JF7-14450-01-00 | ELEMENT ASSEMBLY, AIR CLEANER | 1 | |
| 15 | JN3-14452-00-00 | SEAL | 1 | |
| 16 | 90480-14100-00 | GROMMET | 1 | |
| 17 | J10-14417-00-00 | COVER 1 | 1 | |
| 18 | J45-14436-00-00 | HOOK | 3 | |
| 19 | 90460-43053-00 | CLAMP, HOSE | 1 | |
| 20 | JN3-K7761-00-00 | LABEL, WARNING 1 | 1 | |
| 21 | JN5-1446A-00-00 | SURGE TANK ASSEMBLY | 1 | |
| 22 | JN3-14417-00-00 | COVER 1 | 1 | |
| 23 | 97780-50130-00 | SCREW, TAPPING | 3 | |
| 24 | JN3-14437-00-00 | DUCT | 1 | |
| 25 | 90460-33087-00 | CLAMP, HOSE | 2 | |
| 26 | 90119-06097-00 | BOLT, WITH WASHER | 2 | |
| 27 | 90387-06026-00 | COLLAR | 2 | |

CONTINUED ON NEXT FRAME ►

