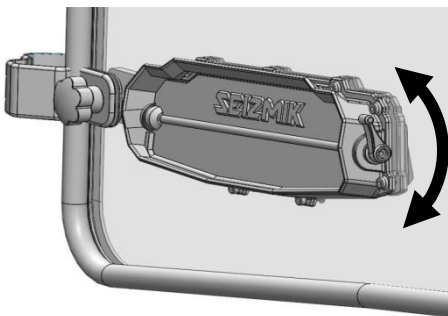
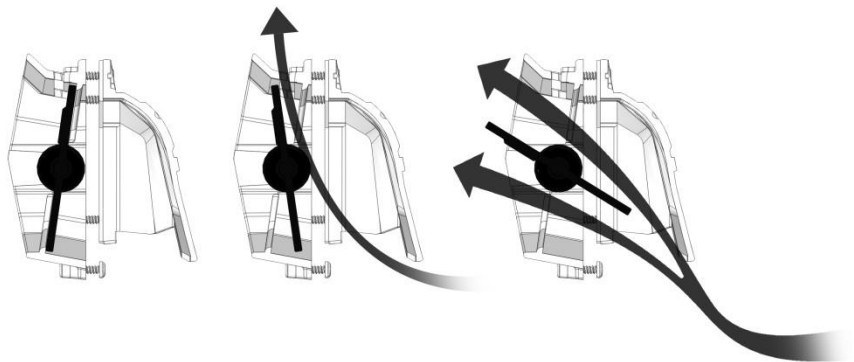


For polycarbonate windshields only! Glass or acrylic windshields will break if you try to cut them. It is up to the installer to determine the best location and accurately cut the holes. Seizmik cannot be held responsible for broken or damaged windshields.

VENT OPERATION:



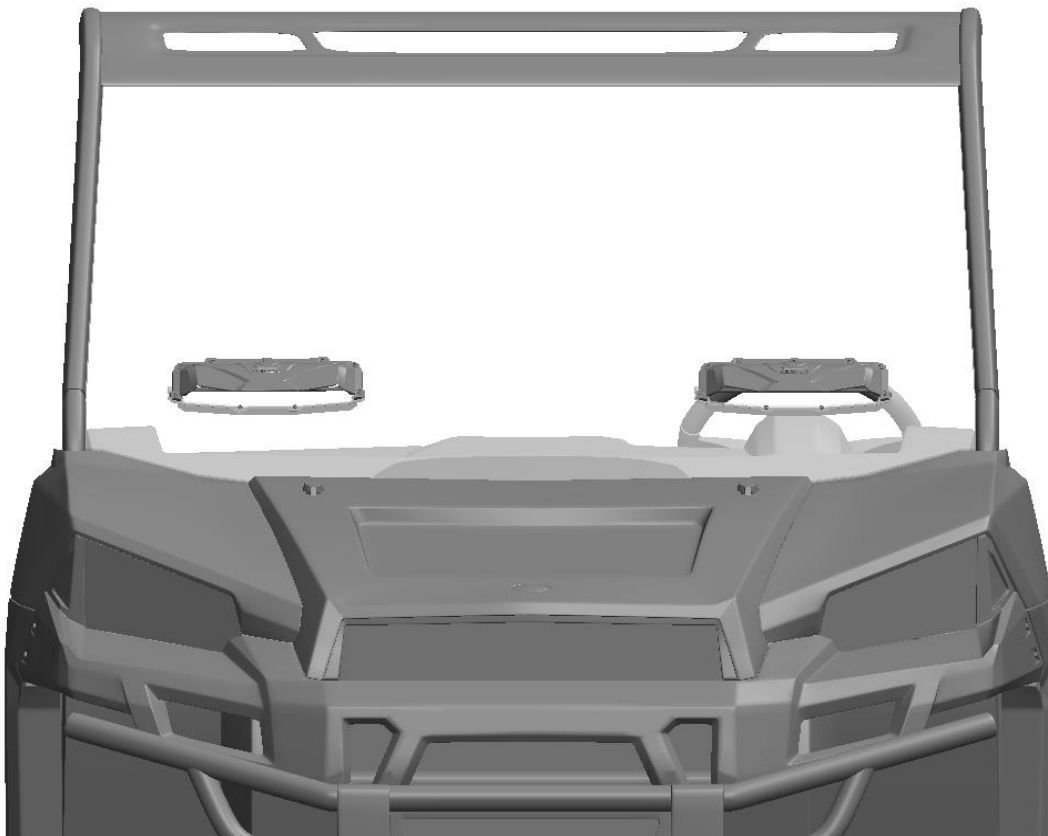
Turn handle to adjust vent. If the vent seems too tight or too loose, it can be adjusted by turning the T10 Torx screw in the handle.



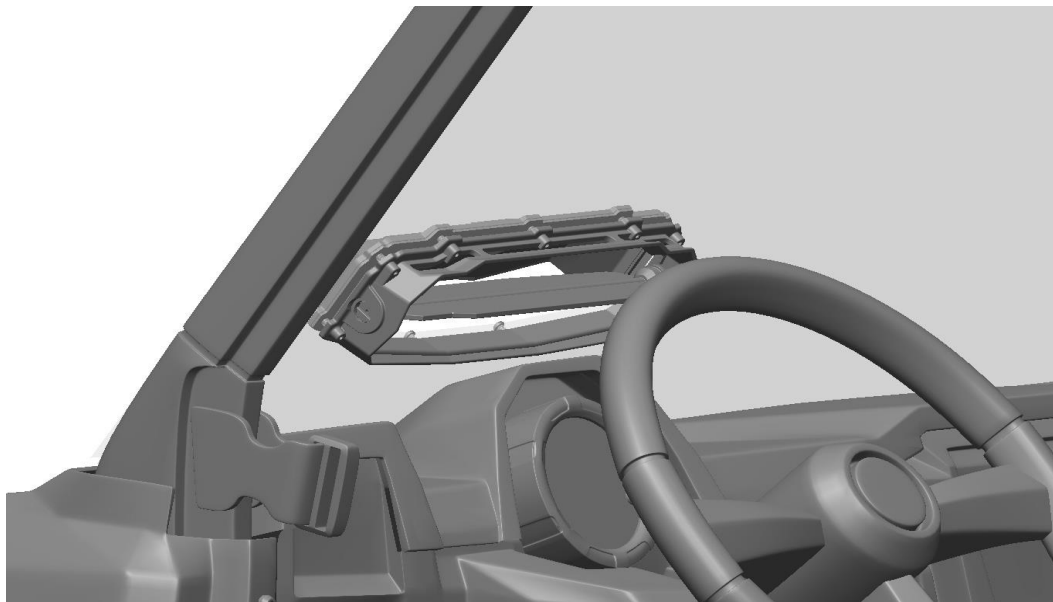
The vent has 3 positions: Closed, Defog, and open.

Seizmik makes Windshields, Mirrors, Cab Systems, Light Bars, Storage Boxes, Hood Racks, and other great accessories for UTVs to maximize the vehicles usefulness.

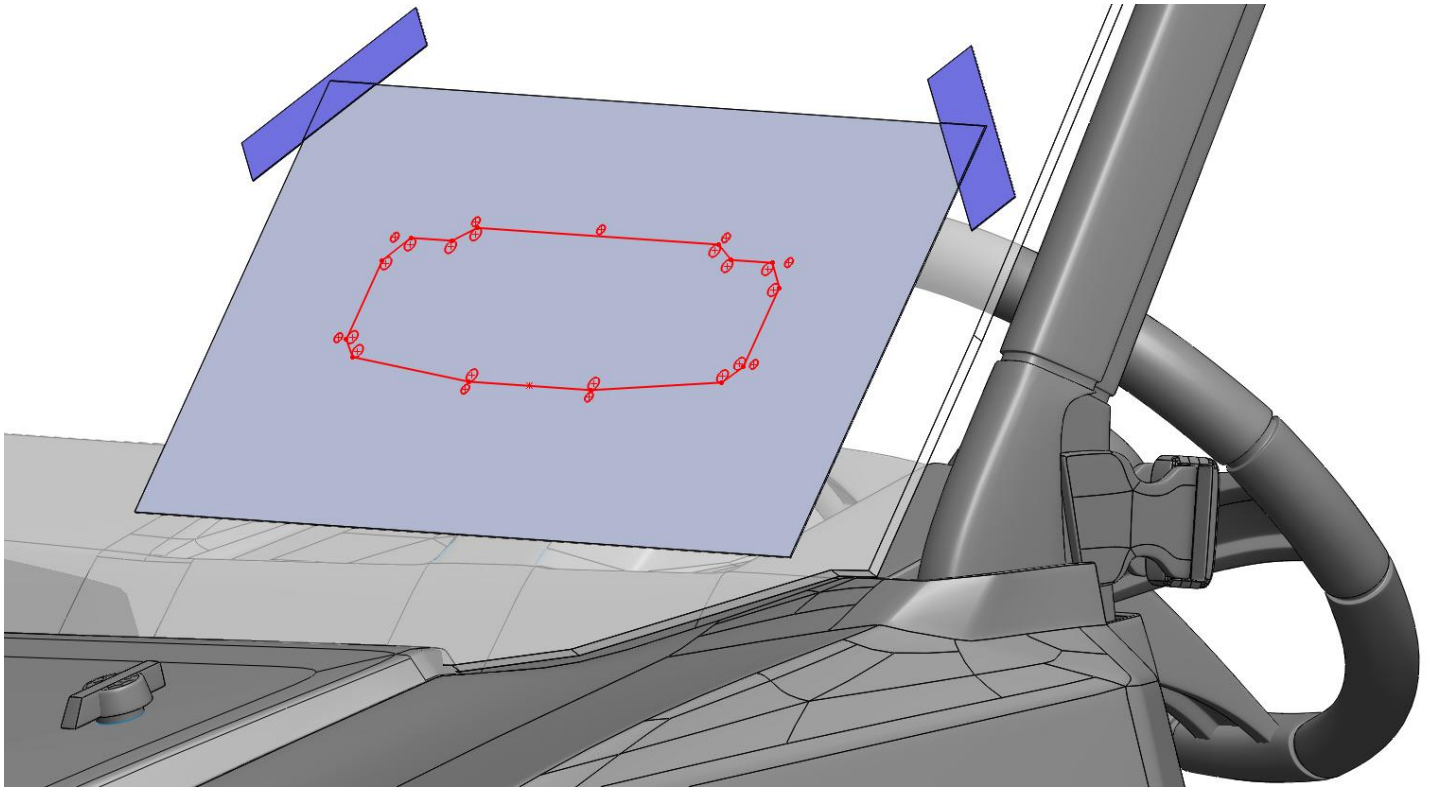
If you have any questions, comments, need assistance, or are missing parts, please call 1-866-838-3366 between 9:00AM and 5:00PM EST or email us at support@seizmik.com. Visit www.seizmik.com for more information on our products.



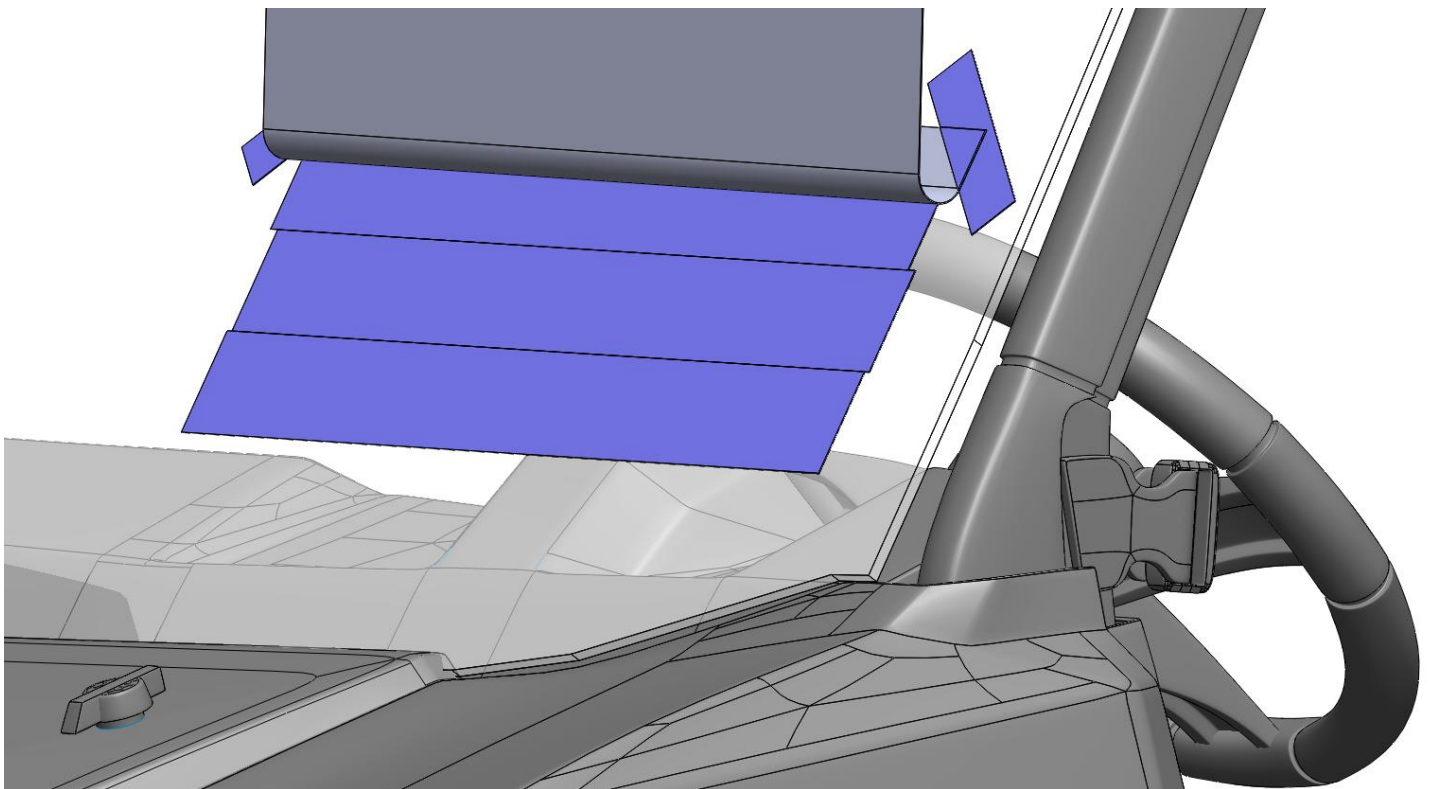
1. Begin by choosing the best location for the vent. Have someone holding the vent on the windshield while you sit in the drivers seat in your normal driving position. It is suggested that you center the vents on the driver and passenger, placed as low as possible so they are not in your line of sight. Be sure to consider whether the vent flap will hit anything like an instrument cluster and that you feel like there is an angle that will allow the air to hit your face. Mark the location you have chosen.



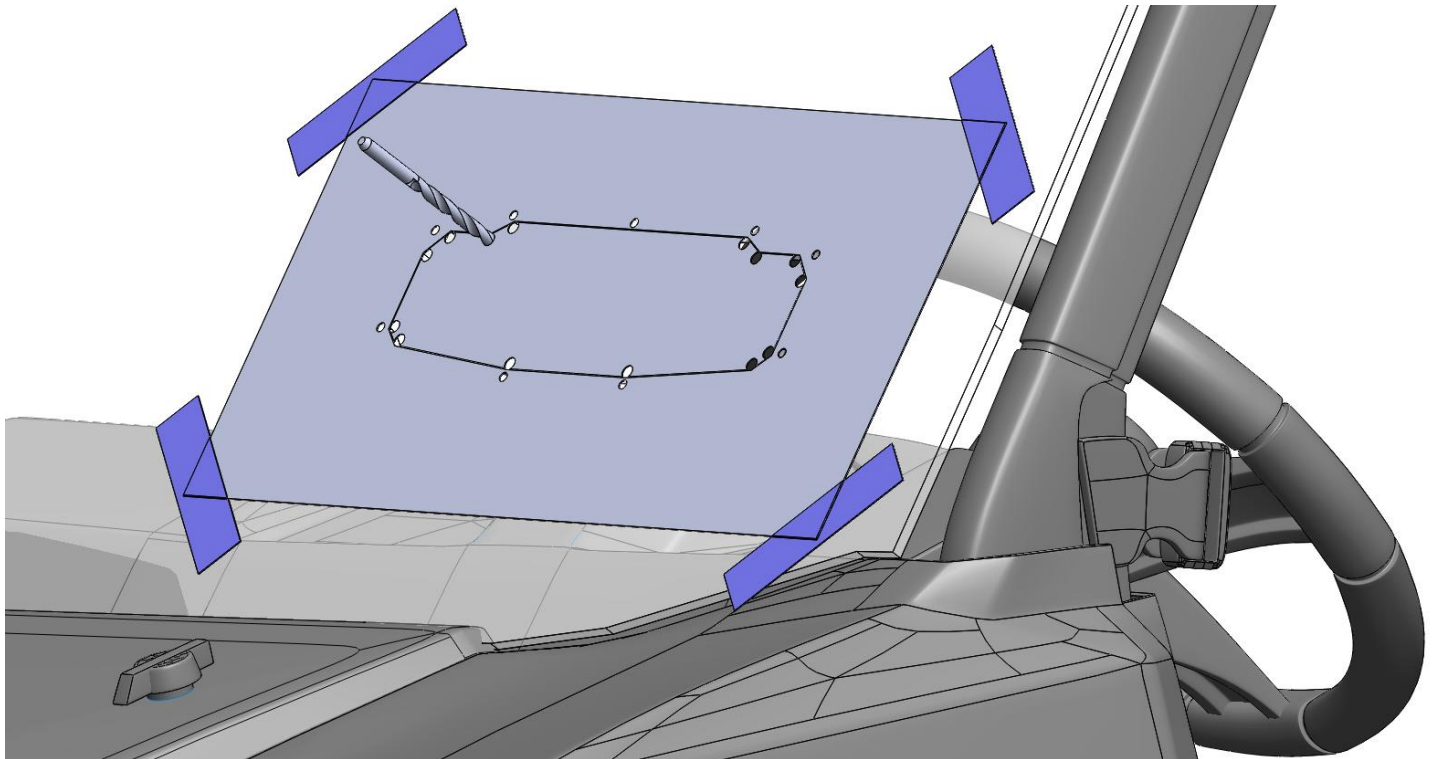
The hole cutting procedure on the following pages is shown with the windshield on the vehicle. You may find it easier to remove it before cutting.



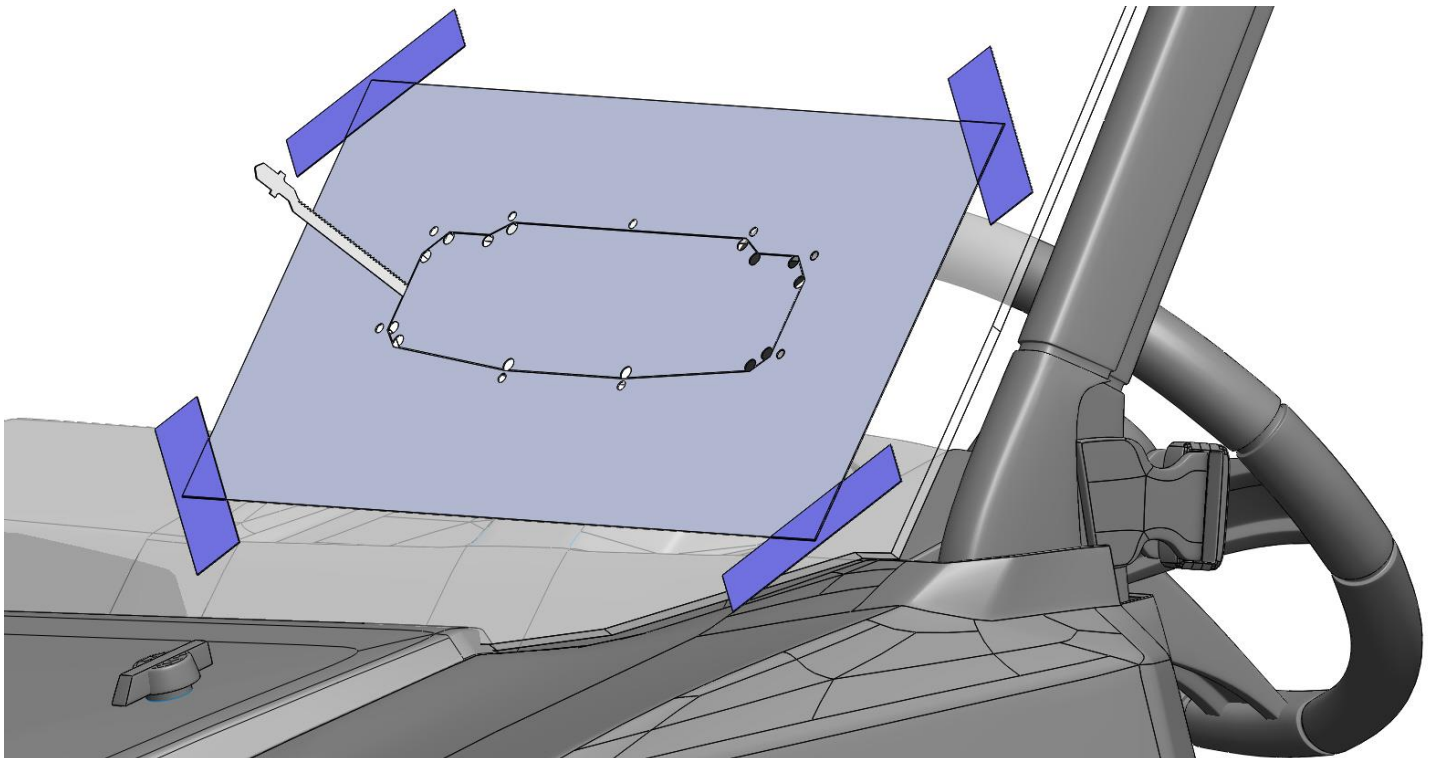
2. Place template on windshield lining it up with your previously chosen location. Tape the top corners in place.



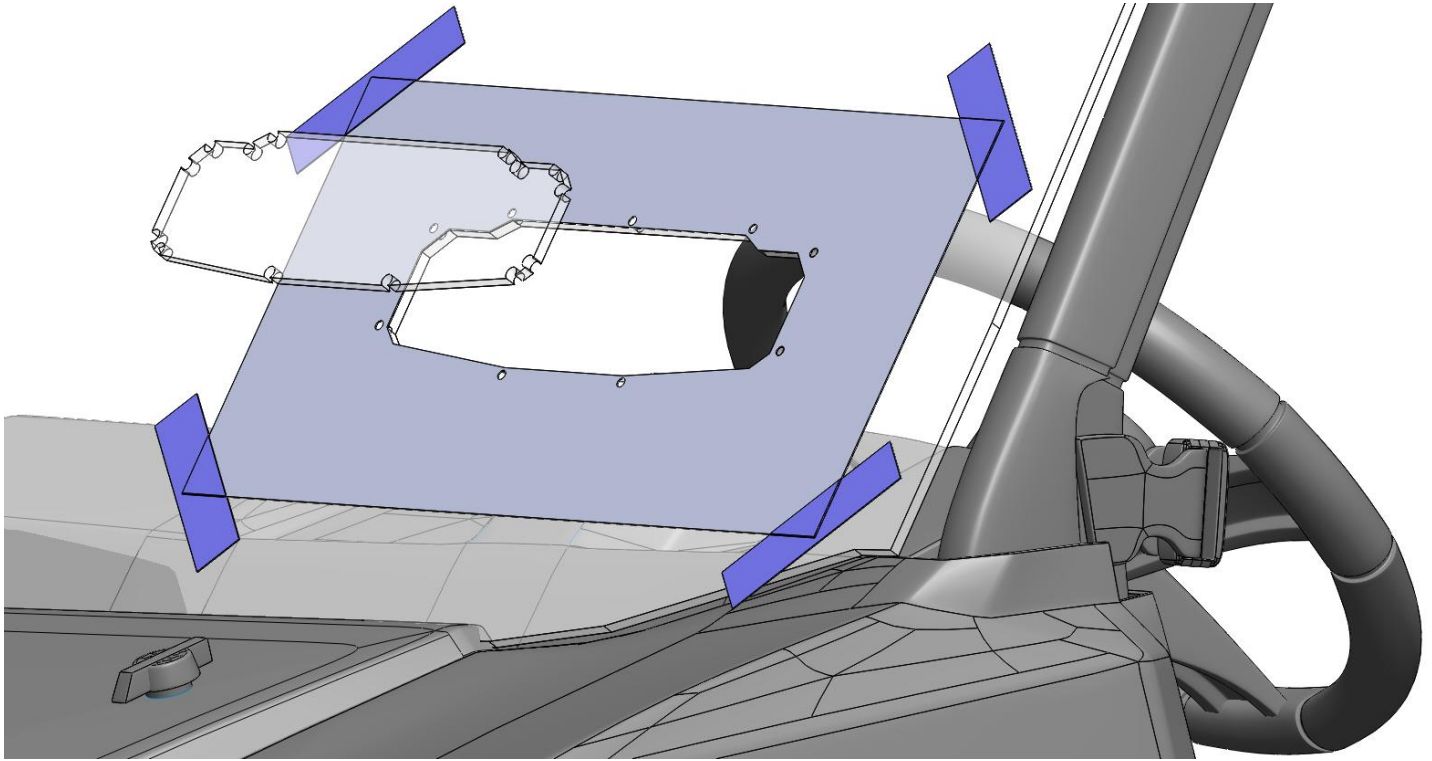
3. Apply heavy tape underneath template anywhere you think the bottom of your jigsaw might touch so that it doesn't scratch the windshield during the cutting operation.



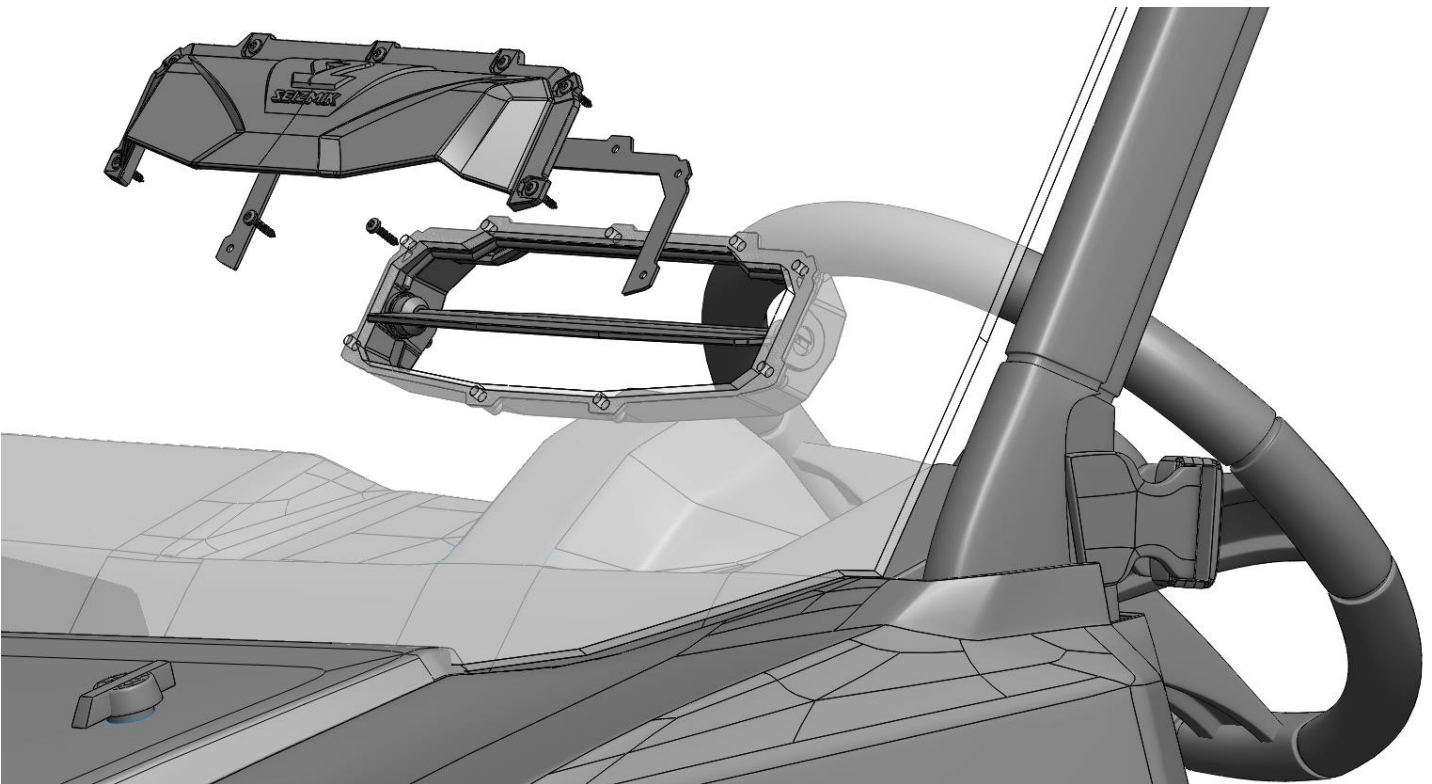
4. Tape down the bottom corners of the template. Using a center punch mark the location of all the holes and drill through windshield with a 1/4" bit for the large holes, and a 1/8 bit for the small holes.



5. Using a jigsaw or small reciprocating saw, cut the outline using the holes inside the vent outline as the corners and connecting them. **Do not try to cut too fast or the material will get hot enough to melt back together behind the blade.**

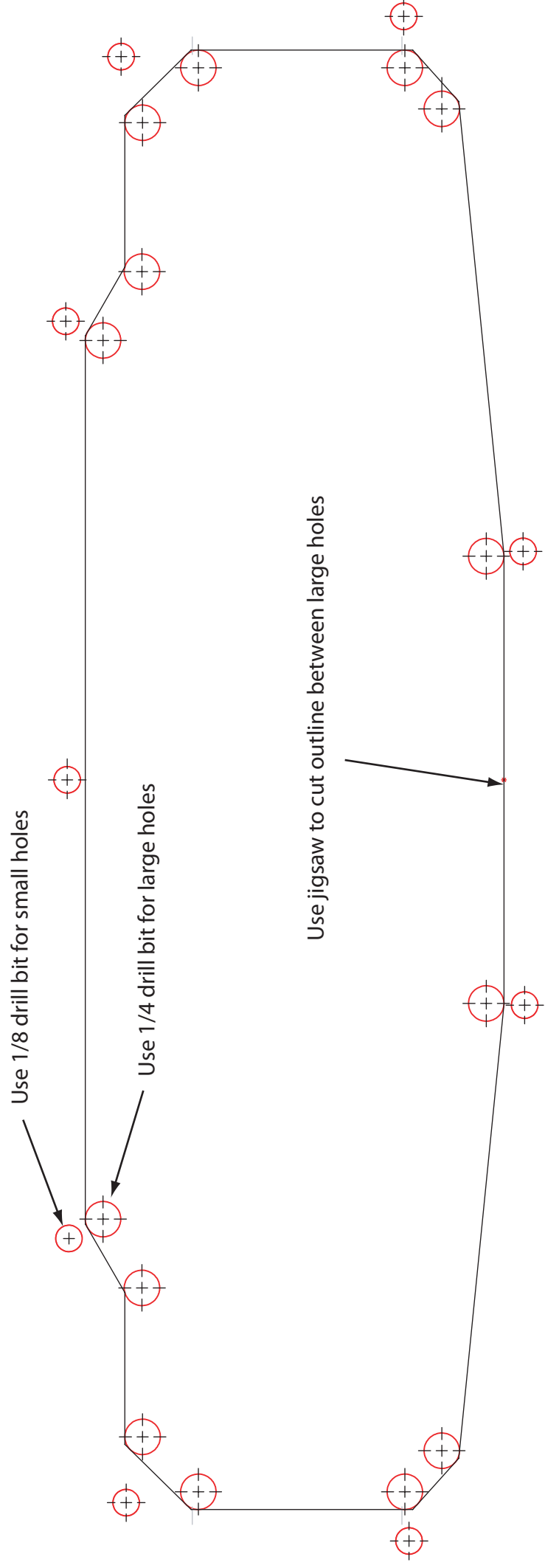


6. Remove the cut piece and clean up the edge of the hole with a sanding disc, file , de-burring tool, or similar.



7. Install the vent using the T-15 fasteners. Carefully apply the self adhesive foam rubber gasket to the back of the vent cover. Do not overtighten. Repeat all steps for other side.

Protect windshield with tape under the template in this area to keep jigsaw foot from damaging it.



Use these scales to verify the cutting template is printed the correct size. This line should be 12"